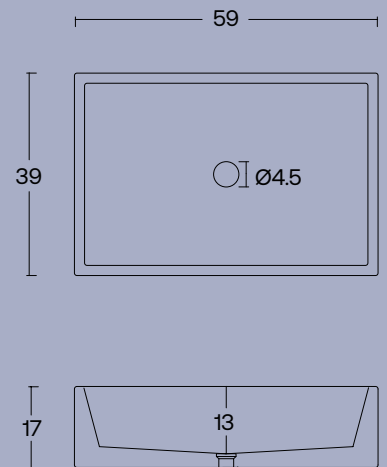


URBI  
+  
ORBI

TECHNICAL SHEET  
SPECIFICATIONS  
AFTERCARE



IMMISSIO 60  
CONCRETE WASHBASIN

# IMMISSIO 60 CONCRETE WASHBASIN



## ABOUT THE PRODUCT

The Immissio 60 Concrete Washbasin is the first product created by Urbi et Orbi Studio in 2012.

Made of cast concrete Immissio 60 combines a contemporary design with the unique character of concrete, evoking an elegant and timeless aesthetic. The small air holes and the subtle color variations are the small details that shape its character. With ergonomic dimensions and a rectangular shape, it suits both residential and commercial projects.



URBI ET ORBI BASED IN GREECE  
(+30) 210 4520178

INFO@URBIETORBI.GR

THESSALONIKIS 61, 18233 ATHENS  
WWW.URBIETORBI.GR

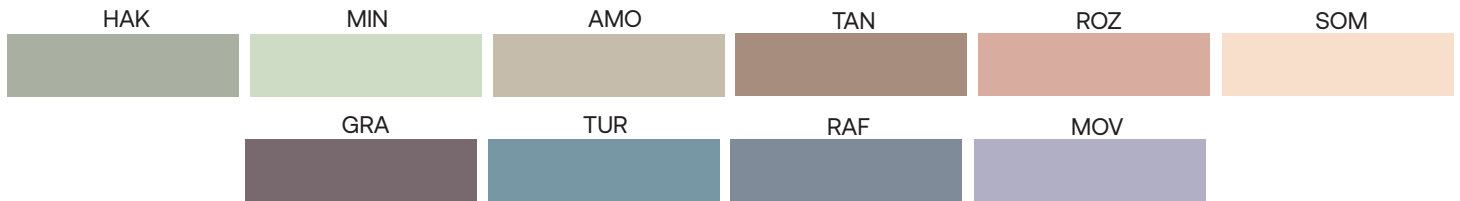
# IMMISSIO 60 CONCRETE WASHBASIN

## COLORS

### BASIC



### OPTIONAL



Colored in its mass with pigments

Every piece may exhibit color variations on its surface, as well as among other pieces of the same product or sample products.

The concrete surface exhibits surface voids that are caused by the air. This is a natural property of concrete. This is only visible on the external side of the washbasin.

## SPECIFICATIONS



Size: 59 x 39 cm

Height: 17 cm ( $\pm 2\%$ )

Depth: 13 cm

Weight: 32 kg ( $\pm 2\%$ )



URBI ET ORBI BASED IN GREECE  
(+30) 210 4520178

INFO@URBIETORBI.GR

THESSALONIKIS 61, 18233 ATHENS  
WWW.URBIETORBI.GR

# IMMISSIO 60 CONCRETE WASHBASIN

## PROPERTIES

This product is made of cast concrete.

Our company specializes in the production of products made of concrete. The raw material that we use is a unique reinforced mixture of cement, enhancing admixtures and special aggregates.

Concrete is known from its use in the construction of buildings to be a durable, enduring, long-lasting material. However, untreated concrete does not suffice for the construction of a functional washbasin. Concrete is porous,

which means it is absorbent and easy to stain. Therefore, for it to be waterproof and protected against unwanted stains, its surface needs to be treated and sealed.

To achieve optimal results, we apply a protective coating consisting of four waterproofing stages, by applying special stain varnishes, while at the same time being cautious not to alter the natural appearance and texture of concrete.

## USAGE.

This product is intended for private or public bathrooms, WC, for indoor usage only.

These concrete washbasins have no overflow; the drainage valve should always be open.

## LOAD RESISTANCE:

Durable in accordance with the Norm EN 14688.

Although concrete is a very hard material, it can break like marble, stone or ceramic. For this reason, avoid dropping heavy objects or any other kind of impact directly on the concrete surface.

## RESISTANCE TO ABRASION:

The concrete sealer coating is durable enough for daily use, in accordance with the EN 14688.

However, avoid rubbing the surface with sharp objects like wire, metal objects or tools and hard sponges. The frequent use of those objects can wear out the sealer.

## RECOMMENDATIONS:

Always follow the installation guide.

For the maintenance of the concrete sealer, we recommend the use of a wax product, such as FILA wax opaca.

Improper use may damage the washbasin and any repairs will be visible.

For further technical information or advice of usage, contact our technical department.

## RESISTANCE AGAINST CHEMICALS AND STAINING AGENTS:

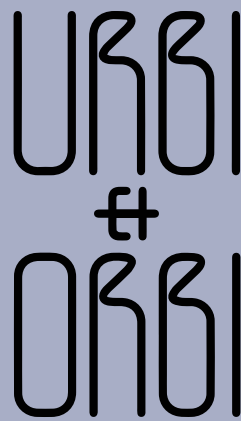
The surface is waterproof and stain resistant, in accordance with the EN 14688. We recommend removing any pigmented liquids from the surface by rinsing them with water before they dry, so as to avoid applying a lot of rubbing pressure later. Always use soft cleaning cloths and common detergents for cleaning. Avoid using strong detergents improperly.

In case acids (nitric acids, hydroxide peroxide, Lactic acid, etc.), solvents (acetone, nitro solvents) or alcohol are spilled on the surface of the washbasin, remove them with water within a reasonable period of time. The frequent use of such liquids could wear out the sealing.

## RESISTANCE TO TEMPERATURE CHANGES:

URBI ET ORBI washbasins have been tested to resist the usual temperature changes of water, in accordance to the EN 14688 standard. We recommend avoiding the use of boiled, very hot water during days with freezing temperatures.





All rights reserved."Urbi et Orbi" brand and logos are registered trademarks. The industrial models of the product, the designation and the product photos are protected by the applicable copyright laws.  
Urbi et Orbi reserves the right, in order to improve the capacities of the products, to make modifications to them, as if reference the raw materials, dimensions, weight, qualities or features, without prior notice.