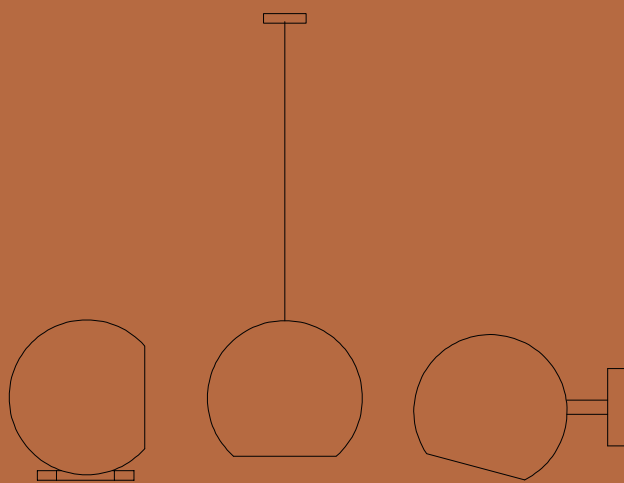
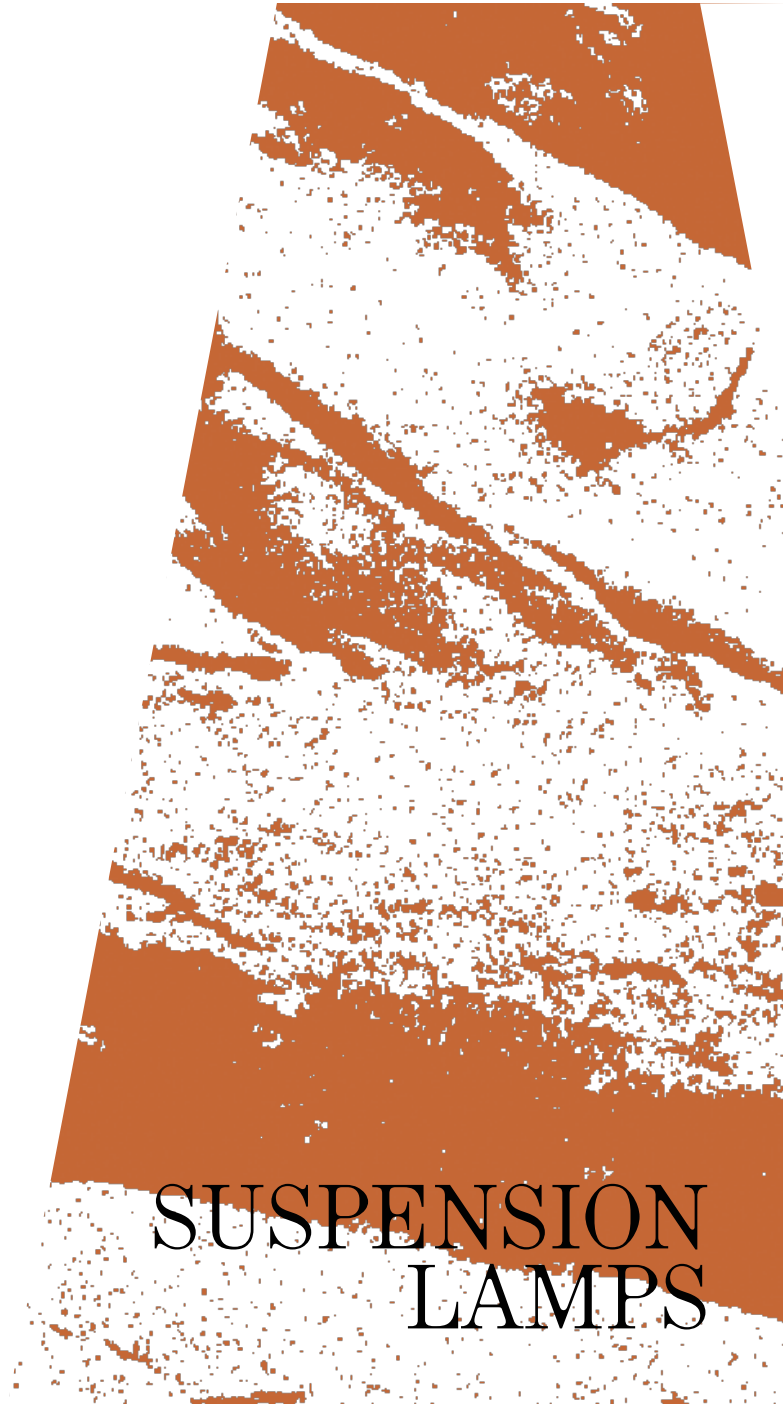
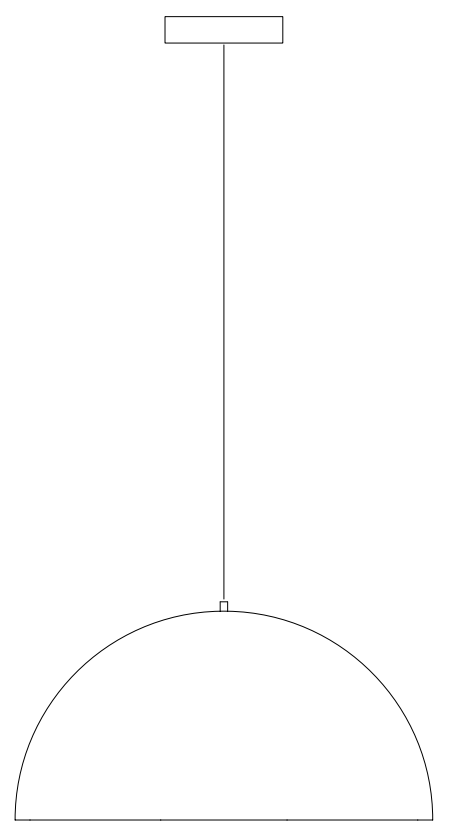


URBI  
+  
ORBI

FORMED  
IN THE  
MEDITERRANEAN  
EXPRESSED TO  
THE WORLD



LIGHTING



# SUSPENSION LAMPS

# ROTA CONCRETE PENDANT LAMP



## ABOUT THE PRODUCT

Rota pendant lamp was designed by Urbi et Orbi Studio in 2013.  
Made of cast concrete.

Its name, stemming from the Latin term for 'wheel', represents a circle. Rota is a light fixture with a clean geometric shape made of concrete. Positioned above a dining table, a coffee table, or even in a kitchen, it adds a special dynamic to the space with its aesthetics and brightness.

This concrete suspension lamp is produced through our company's Zero Waste Project developed over the past 3 years, with a recycling rate of 20%.



URBI ET ORBI BASED IN GREECE  
(+30) 210 4520178

INFO@URBIETORBI.GR

THESSALONIKIS 61, 18233 ATHENS  
WWW.URBIETORBI.GR

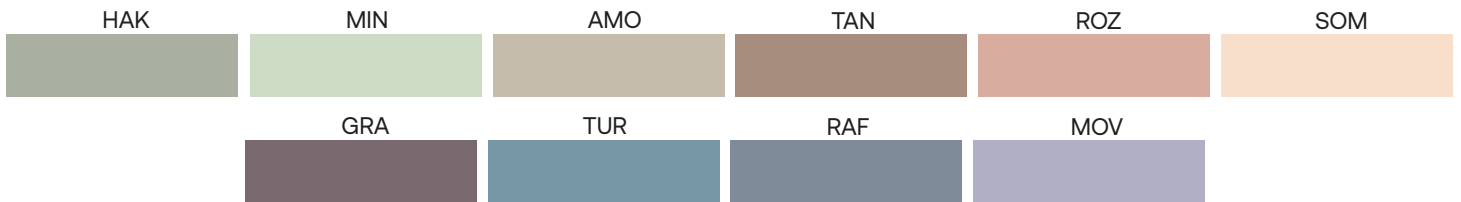
# ROTA CONCRETE PENDANT LAMP

## COLORS

### BASIC



### OPTIONAL



Colored in its mass with pigments



Every piece may exhibit color variations on its surface, as well as among other pieces of the same product or sample products.  
The concrete surface exhibits surface voids that are caused by the air. This is a natural property of concrete.

## SPECIFICATIONS

### INDOOR

Diameter: 48 cm

Height: 9 cm ( $\pm 1\%$ )

Edge thickness: 1 cm

Weight: 9 kg ( $\pm 3\%$ )

Textile Cable: 1,9m max. (longer on demand)

Ceiling rose: Black Matte

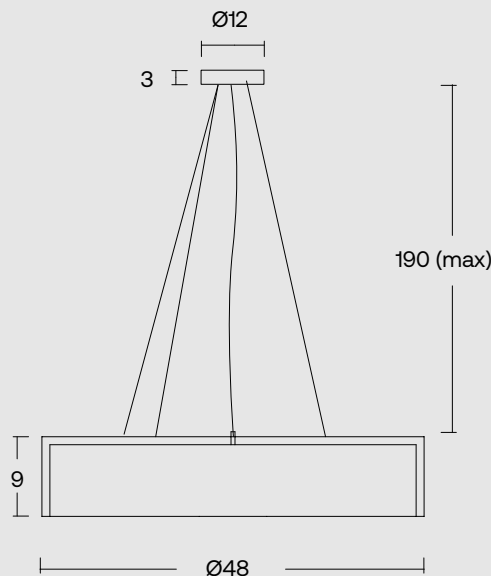
Cable Colors:

Recommended light bulb

E27 LED max watt (W) 70 eco

Light bulb not included

Input (V): 110-230





# GLOBUS 410 CONCRETE PENDANT LAMP



## ABOUT THE PRODUCT

Globus 410 pendant lamp is designed by Urbi et Orbi Studio in 2015.

It features a simple shape with elliptical curves that gains uniqueness due to its materiality. Even though concrete gives the impression of weight, Globus weighs only 6 kilograms, adding only to the aesthetics of a space. It adequately illuminates a dining area, a living room, or a kitchen while simultaneously serving as a decorative element due to its color options.

This concrete suspension lamp is produced through our company's Zero Waste Project developed over the past 3 years, with a recycling rate of 20%.



URBI ET ORBI BASED IN GREECE  
(+30) 210 4520178

INFO@URBIETORBI.GR

THESSALONIKIS 61, 18233 ATHENS  
WWW.URBIETORBI.GR

# GLOBUS 410 CONCRETE PENDANT LAMP

## COLORS BASIC



## OPTIONAL



## SAND



Colored in its mass with pigments

Every piece may exhibit color variations on its surface, as well as among other pieces of the same product or sample products.

The concrete surface exhibits surface voids that are caused by the air. This is a natural property of concrete.



## SPECIFICATIONS

### INDOOR

Diameter: 41 cm

Height: 17 cm

Edge thickness: 1 cm

Weight: 6,5 kg

Textile Cable: 1,9m max. (longer on demand)

Ceiling rose: Black Matte

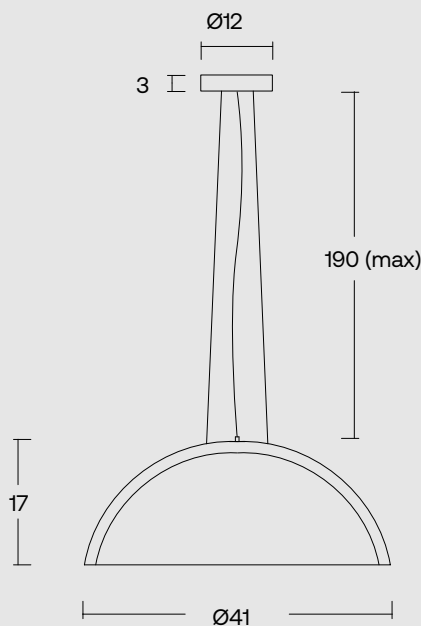
Cable Colors:

Recommended light bulb

E27 LED max watt (W) 70

Light bulb not included

Input (V): 110-230



# GLOBUS 280 CONCRETE PENDANT LAMP



## ABOUT THE PRODUCT

Globus 280 pendant lamp is designed by Urbi et Orbi Studio in 2012.

It features a simple shape with elliptical curves that gains uniqueness due to its materiality. Even though concrete gives the impression of weight, Globus weighs only 2,5 kilograms, adding only to the aesthetics of a space. It adequately illuminates a dining area, a living room, or a kitchen while simultaneously serving as a decorative element due to its color options.

This concrete suspension lamp is produced through our company's Zero Waste Project developed over the past 3 years, with a recycling rate of 20%. The concrete used in production is formulated with only 10% cement.



URBI ET ORBI BASED IN GREECE  
(+30) 210 4520178

INFO@URBIETORBI.GR

THESSALONIKIS 61, 18233 ATHENS  
WWW.URBIETORBI.GR

# GLOBUS 280 CONCRETE PENDANT LAMP

## COLORS

### BASIC



### OPTIONAL



### SAND



Colored in its mass with pigments

Every piece may exhibit color variations on its surface, as well as among other pieces of the same product or sample products.

The concrete surface exhibits surface voids that are caused by the air. This is a natural property of concrete.



## SPECIFICATIONS

### INDOOR

Diameter: 28 cm

Height: 13 cm

Edge thickness: 1 cm

Weight: 2 kg

Textile Cable: 1,9m max. (longer on demand)

Ceiling rose: Black Matte

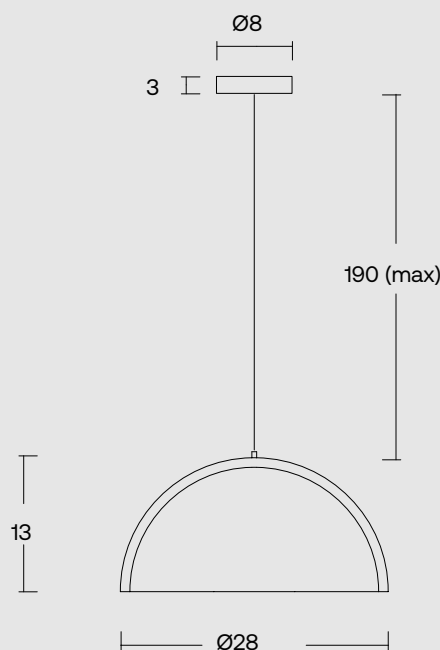
Cable Colors:

Recommended light bulb

E27 LED max watt (W) 70

Light bulb not included

Input (V): 110-230





# SUPERFLY C CONCRETE PENDANT LAMP



## ABOUT THE PRODUCT

Superfly C pendant lamp is designed by Urbi et Orbi Studio in 2016, part of the FUNKY collection.

Inspired by the well-known soundtrack of the '70s, the term "superfly" itself refers to someone stylish, confident, and street-smart. In one word: COOL. And what could be cooler than some spheres floating above a coffee table, or a sphere above a nightstand? The series is complemented with a wall lamp and a table lamp.

This concrete suspension lamp is produced through our company's Zero Waste Project developed over the past 3 years, with a recycling rate of 20%.



URBI ET ORBI BASED IN GREECE  
(+30) 210 4520178

INFO@URBIETORBI.GR

THESSALONIKIS 61, 18233 ATHENS  
WWW.URBIETORBI.GR



# SUPERFLY C CONCRETE PENDANT LAMP

## COLORS

### SAND

ANTHRACITE



GREY

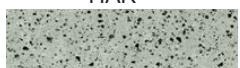


IVORY



### OPTIONAL

HAK



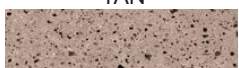
MIN



AMO



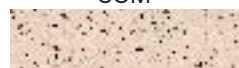
TAN



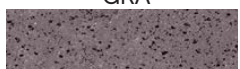
ROZ



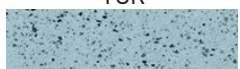
SOM



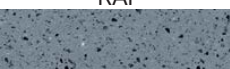
GRA



TUR



RAF



Colored in its mass with pigments

Every piece may exhibit color variations on its surface, as well as among other pieces of the same product or sample products.

The concrete surface exhibits surface voids that are caused by the air. This is a natural property of concrete.



## SPECIFICATIONS

### INDOOR

Diameter: 17 cm

Height: 14 cm

Edge thickness: 1 cm

Weight: 1,6 kg

Textile Cable: 1,9m max. (longer on demand)

Ceiling rose: Black Matte

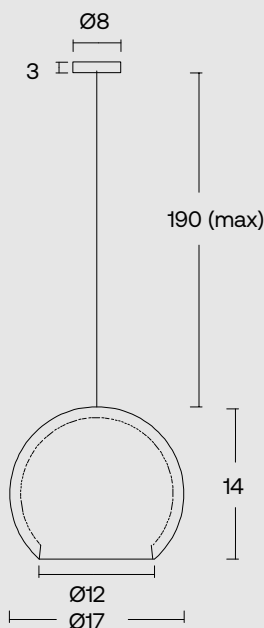
Cable Colors: ● ● ● ●

Recommended light bulb

E14 LED max watt (W) 30

Light bulb not included

Input (V): 110-230



# GHETTO C CONCRETE PENDANT LAMP



## ABOUT THE PRODUCT

Ghetto-C pendant lamp is designed by Urbi et Orbi Studio in 2016, part of the FUNKY collection.

Its shape is carved from the heart of a sphere, maintaining a uniform thickness of 1 cm. Inspired by the 1970s music and culture, reminding us that when talking about any ghetto, every boundary is defined and shaped clearly by people for people.

Ghetto-C is a decorative lamp that adds to the aesthetic of a space, either as a standalone or in combination with multiple pieces.

The series is complemented by a wall lamp and a table lamp.

This concrete suspension lamp is produced through our company's Zero Waste Project developed over the past 3 years, with a recycling rate of 20%.



URBI ET ORBI BASED IN GREECE  
(+30) 210 4520178

INFO@URBIETORBI.GR

THESSALONIKIS 61, 18233 ATHENS  
WWW.URBIETORBI.GR

# GHETTO C CONCRETE PENDANT LAMP

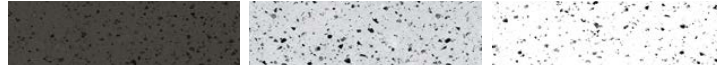
## COLORS

### SAND

ANTHRACITE

GREY

IVORY



### OPTIONAL

HAK

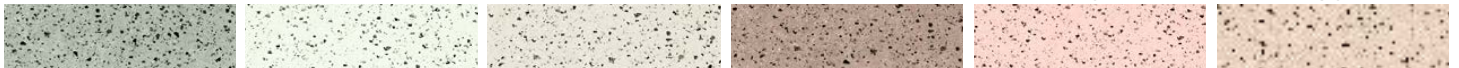
MIN

AMO

TAN

ROZ

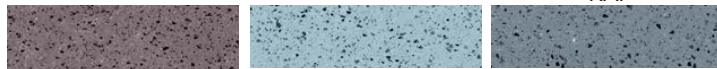
SOM



GRA

TUR

RAF



Colored in its mass with pigments

Every piece may exhibit color variations on its surface, as well as among other pieces of the same product or sample products.

The concrete surface exhibits surface voids that are caused by the air. This is a natural property of concrete.



## SPECIFICATIONS

### INDOOR

Diameter: 19 cm


Width: 5 cm

Edge thickness: 1 cm

Weight: 1 kg

Textile Cable: 1,9m max. (longer on demand)

Ceiling rose: Black Matte

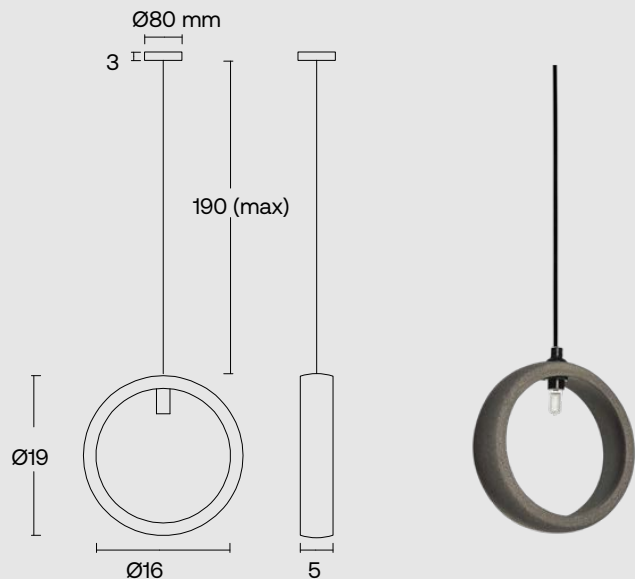
Cable Colors: 

Recommended light bulb

G9 LED max watt (W) 10

Light bulb not included

Input (V): 110-230



# ARETHA C CONCRETE PENDANT LAMP



## ABOUT THE PRODUCT

Aretha C pendant lamp is designed by Urbi et Orbi Studio, part of the FUNKY collection.

Aretha is a feminine name of Greek origin. It derives from the word “arete,” meaning “virtue” or “excellence.” A name associated with the '70s era as a cultural icon whose influence surpassed music.

The Aretha C concrete suspension lamp was created in the workshop by combining 2 concentric circles. The random mechanical distortion formed this organic shape that reflects the diversity of the '70s.

It is a pendant lamp that adds unique value to the space on its own. The Aretha series is complemented by a wall lamp and a table lamp.

This concrete suspension lamp is produced through our company's Zero Waste Project developed over the past 3 years, with a recycling rate of 20%.



URBI ET ORBI BASED IN GREECE  
(+30) 210 4520178

INFO@URBIETORBI.GR

THESSALONIKIS 61, 18233 ATHENS  
WWW.URBIETORBI.GR

# ARETHA C CONCRETE PENDANT LAMP

## COLORS

### SAND

ANTHRACITE

GREY

IVORY



### OPTIONAL

HAK

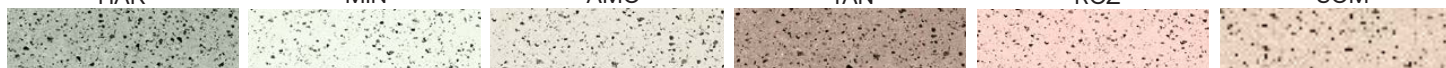
MIN

AMO

TAN

ROZ

SOM



GRA

TUR

RAF



Colored in its mass with pigments

Every piece may exhibit color variations on its surface, as well as among other pieces of the same product or sample products.

The concrete surface exhibits surface voids that are caused by the air. This is a natural property of concrete.



## SPECIFICATIONS

INDOOR

Length: 21 cm

Width: 6 cm

Height: 27 cm

Weight: 1.5 kg

Textile Cable: 1,9m max. (longer on demand)

Ceiling rose: Black Matte

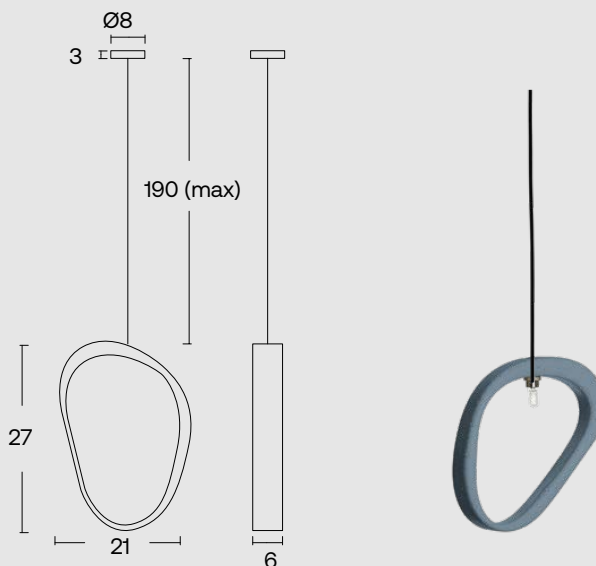
Cable Colors: ● ● ● ●

Recommended light bulb

G9 Max 10 W LED

Light bulb not included

Input (V): 110-230



URBI ET ORBI BASED IN GREECE  
(+30) 210 4520178

INFO@URBIETORBI.GR

THESSALONIKIS 61, 18233 ATHENS  
WWW.URBIETORBI.GR



# IGNIS CONCRETE PENDANT LAMP



## ABOUT THE PRODUCT

Ignis pendant lamp is designed by Urbi et Orbi Studio. Made of cast concrete.

Ignis originates from the Latin signifying “flame”, its design is inspired by the Olympic torch. The beam of light characterizes this fixture, making it a pendant spotlight, adding intensity to various points of the space. It illuminates a dining area as a standalone or in combination with multiple pieces. It can even be installed above a bedside table.



URBI ET ORBI BASED IN GREECE  
(+30) 210 4520178

INFO@URBIETORBI.GR

THESSALONIKIS 61, 18233 ATHENS  
WWW.URBIETORBI.GR

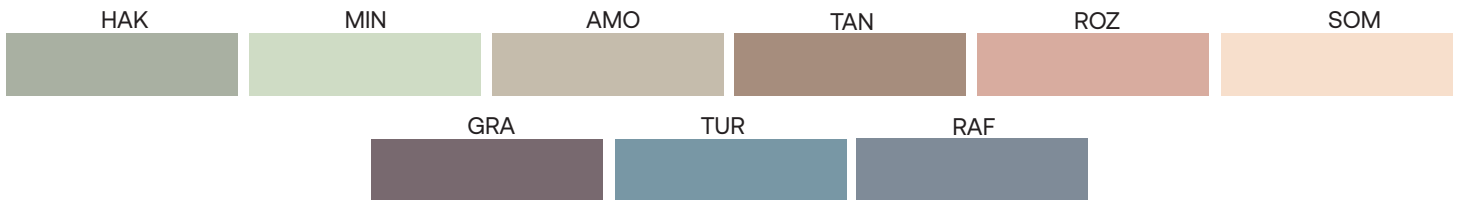
# IGNIS CONCRETE PENDANT LAMP

## COLORS

### BASIC



### OPTIONAL



### SAND



Colored in its mass with pigments



Every piece may exhibit color variations on its surface, as well as among other pieces of the same product or sample products.

The concrete surface exhibits surface voids that are caused by the air. This is a natural property of concrete.

## SPECIFICATIONS

### INDOOR

Diameter: 5-8 cm

Height: 60 cm

Edge thickness: 1 cm

Weight: 2.8 kg

Textile Cable: 1,5m max. (longer on demand)

Ceiling rose: Black Matte

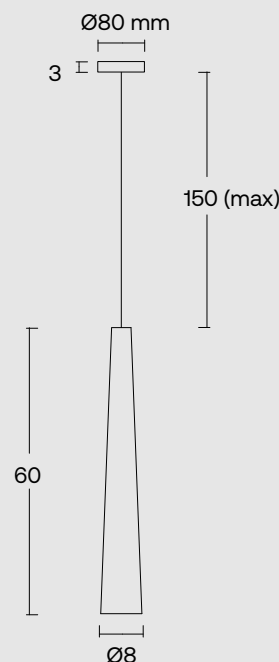
Cable Colors:

Recommended light bulb

E27 LED max watt (W) 70 R63

Light bulb not included

Input (V): 110-230





# TUUUB CONCRETE PENDANT LAMP



## ABOUT THE PRODUCT

Tuuub pendant lamp is designed by Sotiris Lazou Design Studio in 2019.  
Made of cast concrete.

Tuuub originates from the word “tube”, it is a lamp based on geometry that diffuses light in three directions. Whether showcased above a dining table or featured in a living room, its substantial volume and singular characteristics infuse the space with a distinctive aesthetic ambiance.

This concrete suspension lamp is produced through our company’s Zero Waste Project developed over the past 3 years, with a recycling rate of 20%.

URBI ET ORBI BASED IN GREECE  
(+30) 210 4520178



INFO@URBIETORBI.GR

THESSALONIKIS 61, 18233 ATHENS  
WWW.URBIETORBI.GR

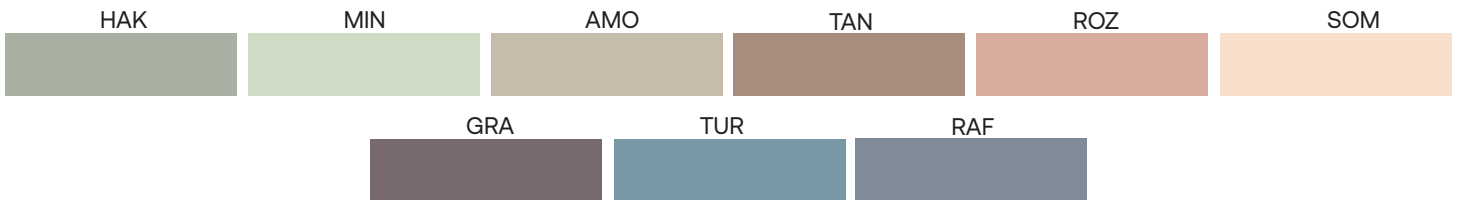
# TUUUB CONCRETE PENDANT LAMP

## COLORS

### BASIC



### OPTIONAL



### SAND



Colored in its mass with pigments



Every piece may exhibit color variations on its surface, as well as among other pieces of the same product or sample products.  
The concrete surface exhibits surface voids that are caused by the air. This is a natural property of concrete.

## SPECIFICATIONS

### INDOOR

Diameter: 13 cm

Height: 39 cm

Edge thickness: 1.2 cm

Weight: 5.5 kg

Textile Cable: 1,9m max. (longer on demand)

Ceiling rose: Black Matte

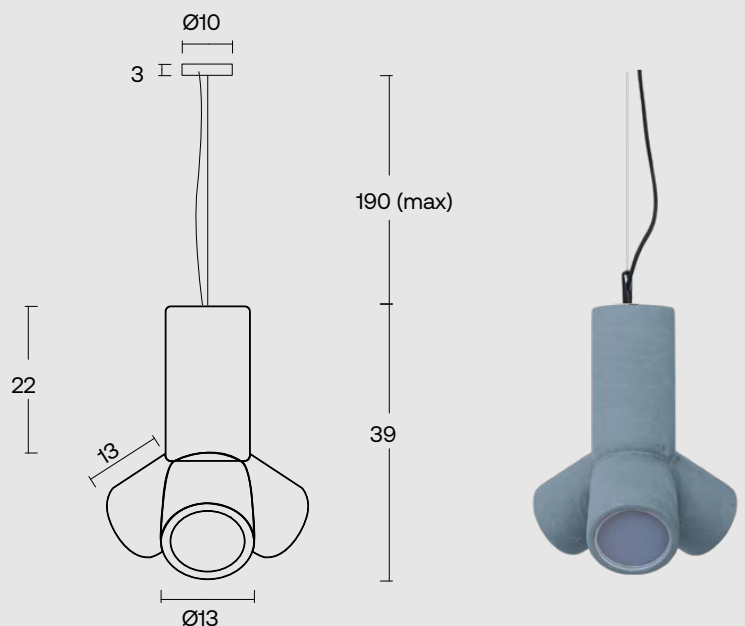
Cable Colors:

Recommended light bulb

GU10 LED max watt (W) 10

Light bulb not included

Input (V): 110-230





# VIKA CONCRETE PENDANT LAMP



## ABOUT THE PRODUCT

Vika suspension lamp was designed by Sotiris Lazou Design Studio for Urbi et Orbi Medius Terra collection in 2024. Inspired by the rich heritage of Mediterranean design and Greek pottery, the Vika pendant lamp embodies timeless beauty and elegance. Crafted from cast concrete and colored in earthy terracotta tones, its natural textures pay homage to the rustic charm of the region.

The Vika light fixture effortlessly blends modern and traditional elements, creating a pendant lamp that adds a touch of Mediterranean culture to any contemporary space. With its refined design and warm hues, Vika illuminates with both style and sophistication, making it a captivating addition to any interior setting.

Ideal for commercial or residential spaces it is available in 2 shades of grey, and various colors ranging from warm to cool tones such as beige, terracotta, olive green, etc.,

This concrete suspension lamp is produced through our company's Zero Waste Project developed over the past 3 years, with a recycling rate of 20%



URBI ET ORBI BASED IN GREECE  
(+30) 210 4520178

INFO@URBIETORBI.GR

THESSALONIKIS 61, 18233 ATHENS  
WWW.URBIETORBI.GR



# VIKA CONCRETE PENDANT LAMP

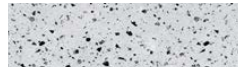
## COLORS

### SAND

ANTHRACITE



GREY

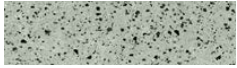


IVORY

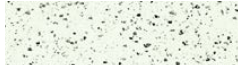


### OPTIONAL

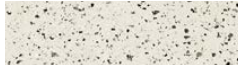
HAK



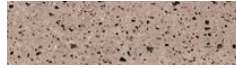
MIN



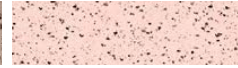
AMO



TAN



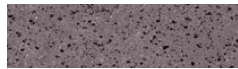
ROZ



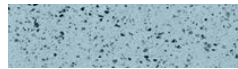
SOM



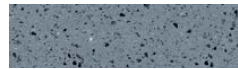
GRA



TUR



RAF



Colored in its mass with pigments

Every piece may exhibit color variations on its surface, as well as among other pieces of the same product or sample products.

The concrete surface exhibits surface voids that are caused by the air. This is a natural property of concrete.

## SPECIFICATIONS

INDOOR

Size: 47 x 47 cm


Height: 27 cm

Edge thickness: 1.2 cm

Weight: 5,5 kg

Textile Cable: 1.9m max. (longer on demand)

Ceiling rose: Brass, Black or White

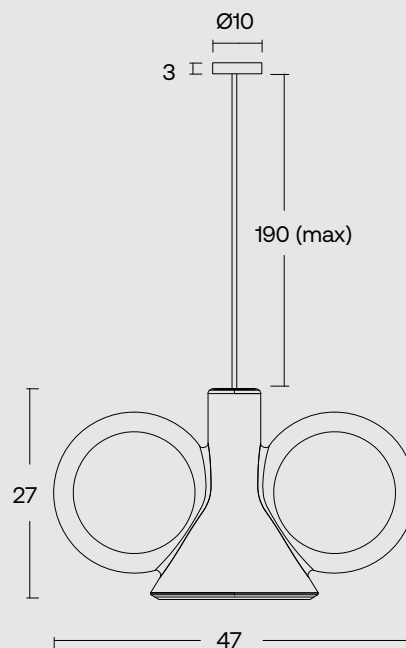
Cable Colors: 

Recommended light bulb

E27 LED max watt (W) 70 R30

Light bulb not included

Input (V): 110-230



# PHARI CONCRETE PENDANT LAMP



## ABOUT THE PRODUCT

Phari pendant lamp is designed by Urbi et Orbi Studio in 2013.  
Made of cast concrete.

Its name “Phari” means lighthouse. A bright beam made of concrete. Phari has a minimal organic shape that highlights the material’s plasticity, as well as its nature. The beam of light it emits, transforms this decorative fixture into a pendant spot, emphasizing selected areas in private or public spaces. makes a statement in any space it inhabits.

This concrete suspension lamp is produced through our company’s Zero Waste Project developed over the past 3 years, with a recycling rate of 20%.



URBI ET ORBI BASED IN GREECE  
(+30) 210 4520178

INFO@URBIETORBI.GR

THESSALONIKIS 61, 18233 ATHENS  
WWW.URBIETORBI.GR

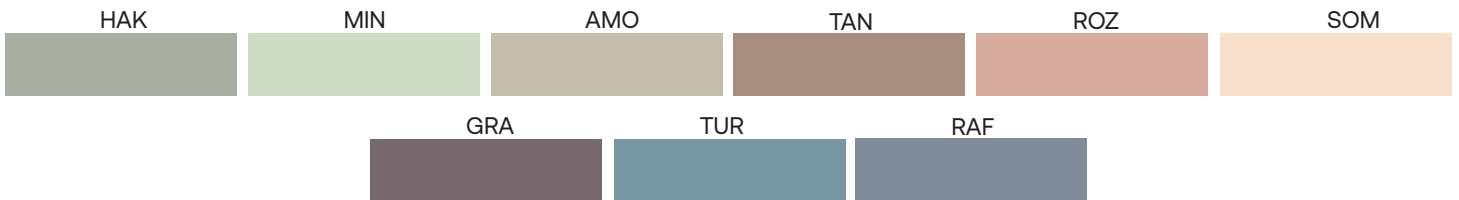
# PHARI CONCRETE PENDANT LAMP

## COLORS

### BASIC



### OPTIONAL



### SAND



Colored in its mass with pigments



Every piece may exhibit color variations on its surface, as well as among other pieces of the same product or sample products.  
The concrete surface exhibits surface voids that are caused by the air. This is a natural property of concrete.

## SPECIFICATIONS

INDOOR

Diameter: 8 cm

Height: 17 cm

Edge thickness: 1 cm

Weight: 1,5 kg

Textile Cable: 1,8m max. (longer on demand)

Ceiling rose: Black Matte

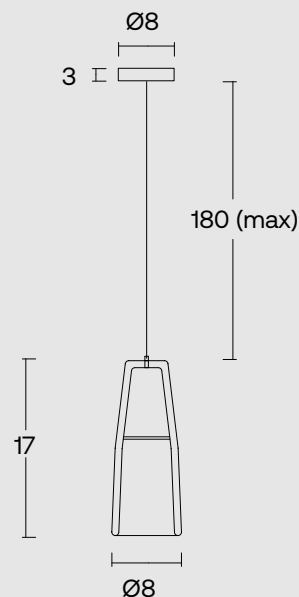
Cable Colors:

Recommended light bulb

GU10 LED max watt (W) 10

Light bulb not included

Input (V): 110-230



URBI ET ORBI BASED IN GREECE  
(+30) 210 4520178

INFO@URBIETORBI.GR

THESSALONIKIS 61, 18233 ATHENS  
WWW.URBIETORBI.GR



# STRATA CONCRETE PENDANT LAMP



## ABOUT THE PRODUCT

Strata suspension lamp was designed by CTRLZAK for the Urbi et Orbi Medius Terra collection in 2024. Strata is a series inspired by natural geological formations (stratification). It captures sedimentation, erosion, and volcanic activity through stacked layers, symbolizing the passage of time. The design is inspired by the Mediterranean region's diverse landscapes and geological phenomena. The overlapping layers of mineral compositions represent the geological history of the Mediterranean and our planet. Strata encourages reflection on our perception of time through geology and the natural world.

The Strata concrete pendant lamp is designed for indoor use and features a unique finish that can only be achieved with concrete as a base material. Each piece is unique and different, holding onto the design concept. It was a construction challenge for us, and we loved it from the first moment when it was still an idea. We developed special production techniques to approach such a natural appearance.

One or more pieces suspended above a dining table or a living room table illuminate the space discreetly or dynamically like spotlights.

Ideal for commercial or residential spaces, it is available in a cold and warm color palette.



URBI ET ORBI BASED IN GREECE  
(+30) 210 4520178

INFO@URBIETORBI.GR

THESSALONIKIS 61, 18233 ATHENS  
WWW.URBIETORBI.GR

# STRATA CONCRETE PENDANT LAMP

## COLORS

### WARM FINISHES



### COOL FINISHES



Colored in its mass with pigments



Every piece may exhibit color variations on its surface, as well as among other pieces of the same product or sample products.

The concrete surface exhibits surface voids that are caused by the air. This is a natural property of concrete.

## SPECIFICATIONS

### INDOOR

Diameter: 8.5 cm

Height: 24 cm

Edge thickness: 1 cm

Weight: 2 kg

Textile Cable: 1,9m max. (longer on demand)

Ceiling rose: Brass or Copper

Cable Colors:

Recommended light bulb

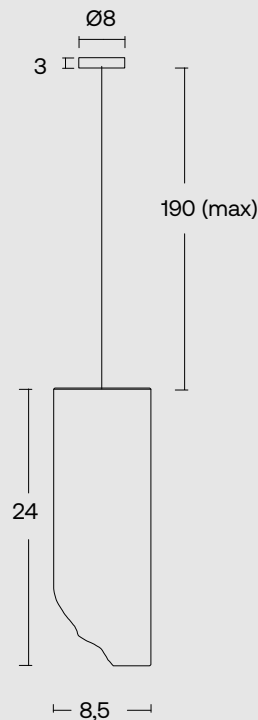
GU10 LED max watt (W) 10

Light bulb not included

Input (V): 110-230



CE IP20





# SIMAN CONCRETE PENDANT LAMP



## ABOUT THE PRODUCT

Siman pendant lamp was designed by Gian Paolo Venier in 2019.  
Made of cast concrete.

The name comes from the Farsi term “siman”, which means cement. Marked by the iconic pleating – which creates an everchanging game of shadows and depths. For a panorama of little architectures that populate our interior landscapes with a highly graphic and timeless personality. It ideally illuminates a dining area when combined with more pieces. It can add intensity to various points in the space, or even above a nightstand.

This concrete suspension lamp is produced through our company’s Zero Waste Project developed over the past 3 years, with a recycling rate of 20%.

URBI ET ORBI BASED IN GREECE  
(+30) 210 4520178



INFO@URBIETORBI.GR

THESSALONIKIS 61, 18233 ATHENS  
WWW.URBIETORBI.GR

# SIMAN CONCRETE PENDANT LAMP

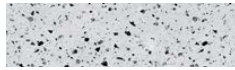
## COLORS

### SAND

ANTHRACITE



GREY

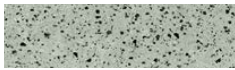


IVORY

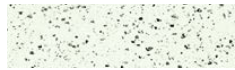


### OPTIONAL

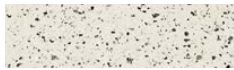
HAK



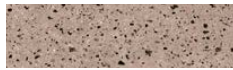
MIN



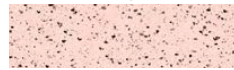
AMO



TAN



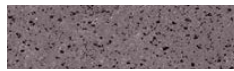
ROZ



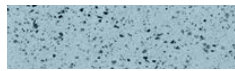
SOM



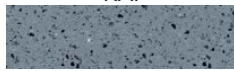
GRA



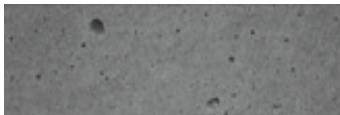
TUR



RAF



Colored in its mass with pigments



Every piece may exhibit color variations on its surface, as well as among other pieces of the same product or sample products.

The concrete surface exhibits surface voids that are caused by the air. This is a natural property of concrete.

## SPECIFICATIONS

### INDOOR

Diameter: 9 cm





Height: 33 cm

Edge thickness: 1 cm

Weight: 2 kg

Textile Cable: 1,7m max. (longer on demand)

Ceiling rose: Black

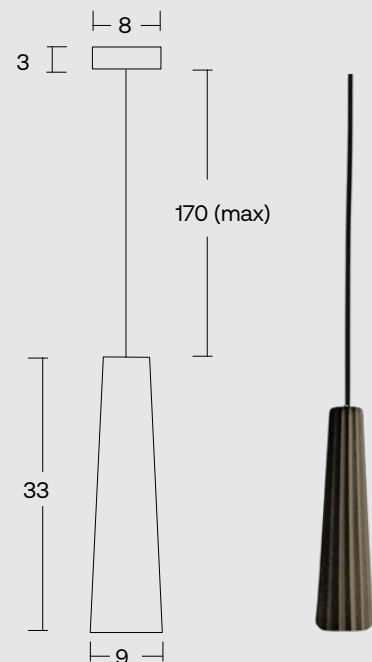
Cable Colors:    

Recommended light bulb

GU10 LED max watt (W) 10

Light bulb not included

Input (V): 110-230



# AMPULLA CONCRETE PENDANT LAMP



## ABOUT THE PRODUCT

Ampulla pendant lamp was designed by Urbi et Orbi Studio in 2013.  
Made of cast concrete.

Its name originates from the Latin word signifying “bottle”. This common organic shape transforms into something unique due to the characteristics of its material. Whether used alone or combined with other pieces, it intervenes in the space with its character.

The ray of light emitted turns this pendant lamp into a spotlight, accentuating selected spots in private or public areas.

This concrete suspension lamp is produced through our company’s Zero Waste Project developed over the past 3 years, with a recycling rate of 20%.



URBI ET ORBI BASED IN GREECE  
(+30) 210 4520178

INFO@URBIETORBI.GR

THESSALONIKIS 61, 18233 ATHENS  
WWW.URBIETORBI.GR

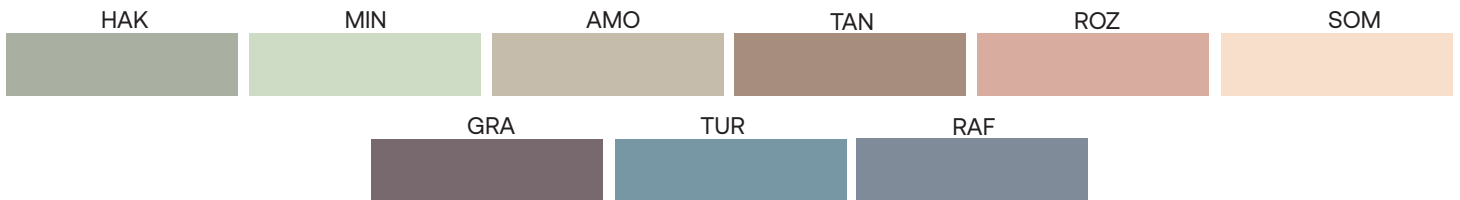
# AMPULLA CONCRETE PENDANT LAMP

## COLORS

### BASIC



### OPTIONAL



### SAND



Colored in its mass with pigments



Every piece may exhibit color variations on its surface, as well as among other pieces of the same product or sample products.  
The concrete surface exhibits surface voids that are caused by the air. This is a natural property of concrete.

## SPECIFICATIONS

### INDOOR

Diameter: 8 cm

Height: 18 cm

Edge thickness: 1 cm

Weight: 1 kg

Textile Cable: 1,8m max. (longer on demand)

Ceiling rose: Black Matte

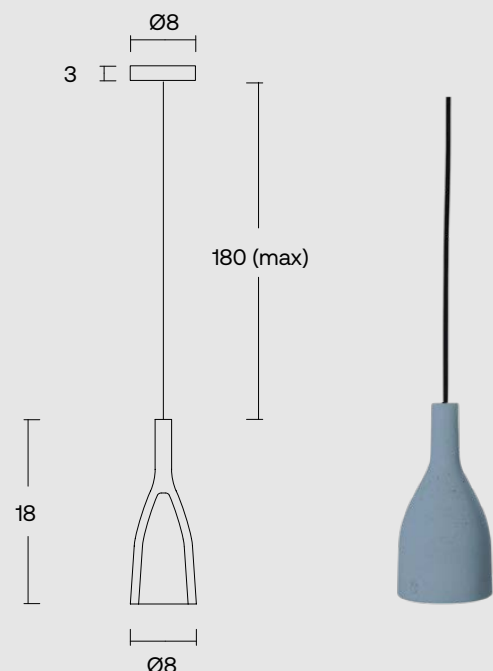
Cable Colors:

Recommended light bulb

GU10 LED max watt (W) 10

Light bulb not included

Input (V): 110-230



URBI ET ORBI BASED IN GREECE  
(+30) 210 4520178

INFO@URBIETORBI.GR

THESSALONIKIS 61, 18233 ATHENS  
WWW.URBIETORBI.GR



# LUNA CONCRETE PENDANT LAMP



## ABOUT THE PRODUCT

Luna pendant lamp was designed by Urbi et Orbi Studio in 2015.  
Made of cast concrete.

The holes resembling pebbles allow light to diffuse, creating shadows and organic shapes in the space. The Luna pendant fixture imbues a pleasant mood with its character.

This concrete suspension lamp is produced through our company's Zero Waste Project developed over the past 3 years, with a recycling rate of 20%.

URBI ET ORBI BASED IN GREECE  
(+30) 210 4520178



INFO@URBIETORBI.GR

THESSALONIKIS 61, 18233 ATHENS  
WWW.URBIETORBI.GR

# LUNA CONCRETE PENDANT LAMP

## COLORS BASIC



## OPTIONAL



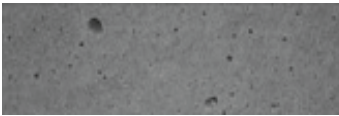
## SAND



Colored in its mass with pigments

Every piece may exhibit color variations on its surface, as well as among other pieces of the same product or sample products.

The concrete surface exhibits surface voids that are caused by the air. This is a natural property of concrete.



## SPECIFICATIONS

### INDOOR

Diameter: 23 cm





Height: 18 cm

Edge thickness: 1 cm

Weight: 3,5 kg

Textile Cable: 1,9m max. (longer on demand)

Ceiling rose: Black Matte

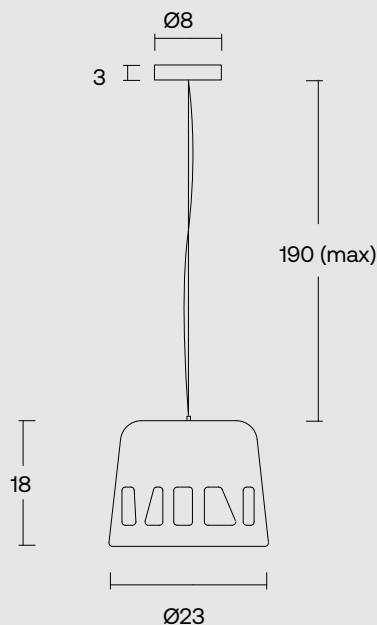
Cable Colors:    

Recommended light bulb

E27 LED max watt (W) 70

Light bulb not included

Input (V): 110-230



# BATTAGLIA CONCRETE PENDANT LAMP



## ABOUT THE PRODUCT

Battaglia pendant lamp is designed by Urbi et Orbi Studio in 2015.  
Made of cast concrete.

The Battaglia lamp is shaped in elliptical curves. Its straight openings allow light to diffuse, creating shadows and shapes in the space. This decorative fixture draws attention in any room it's placed.  
Battaglia lamp comes in two sizes.

This concrete suspension lamp is produced through our company's Zero Waste Project developed over the past 3 years, with a recycling rate of 20%. The concrete used in production is formulated with only 10% cement.



URBI ET ORBI BASED IN GREECE  
(+30) 210 4520178

INFO@URBIETORBI.GR

THESSALONIKIS 61, 18233 ATHENS  
WWW.URBIETORBI.GR



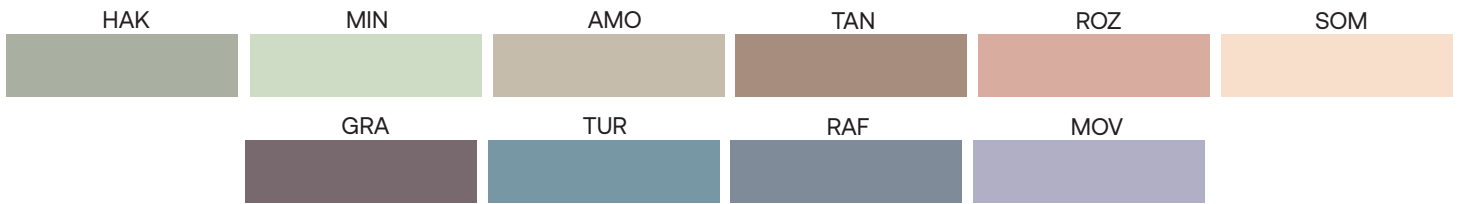
# BATTAGLIA CONCRETE PENDANT LAMP

## COLORS

### BASIC



### OPTIONAL



Colored in its mass with pigments



Every piece may exhibit color variations on its surface, as well as among other pieces of the same product or sample products.  
The concrete surface exhibits surface voids that are caused by the air. This is a natural property of concrete.

## SPECIFICATIONS

### INDOOR

Diameter: 15 cm

Height: 21 cm

Edge thickness: 1 cm

Weight: 1,3 kg

Textile Cable: 1,9m max. (longer on demand)

Ceiling rose: Black Matte

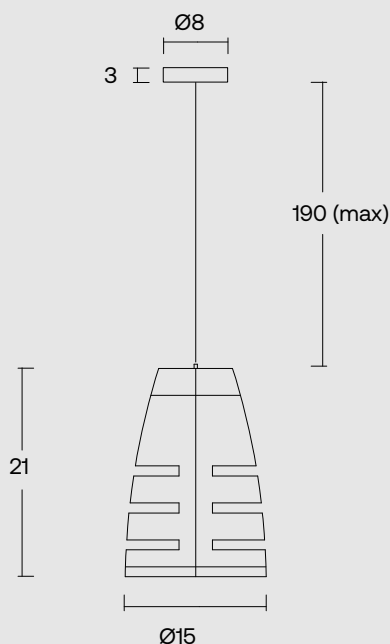
Cable Colors:

Recommended light bulb

E14 LED max watt (W) 30

Light bulb not included

Input (V): 110-230





URBI  
+  
ORBI

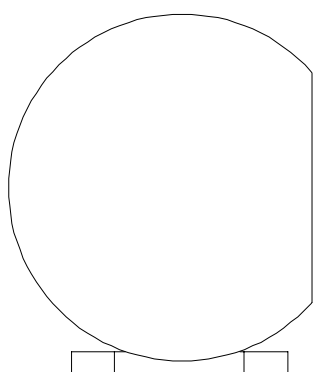


TABLE  
LAMPS

# LUCERA COLLECTION CONCRETE TABLE LAMP



## ABOUT THE PRODUCT

LucerA wireless table lamps are crafted from cast concrete and semi-transparent resin, designed by Sotiris Lazou Design Studio in 2021.

LucerA lamps are a versatile lighting solution suitable for both outdoor and indoor use. These portable lamps are wireless and come equipped with rechargeable batteries, offering convenience and flexibility in placement. With their long-lasting battery life, each of the LucerA lamps can illuminate for over 8 hours while maintaining consistent light intensity. Adding prestige and radiance with its volume and silky finish, LucerA boasts durability and stability in outdoor weather conditions thanks to its materiality.

The LucerA collection (consisting of 3 lamps) was developed during the COVID-19 lockdowns and eventually won the Good Design Award for the best lighting fixture of 2022 due to its innovative design. Consisting of three parts—two pieces of concrete and one semi-transparent resin—the components are made in separate molds and then assembled together on a lathe for final shaping.

The terrazzo finish is created with cement colors from our basic or optional palette, combined with white or black aggregates. Based on demand, as part of our Zero Waste Project, we can use other color aggregates such as dusty blue, etc.



URBI ET ORBI BASED IN GREECE  
(+30) 210 4520178

INFO@URBIETORBI.GR

THESSALONIKIS 61, 18233 ATHENS  
WWW.URBIETORBI.GR

# LUCERA COLLECTION CONCRETE TABLE LAMP

## COLORS

### TERRAZZO



### OPTIONAL

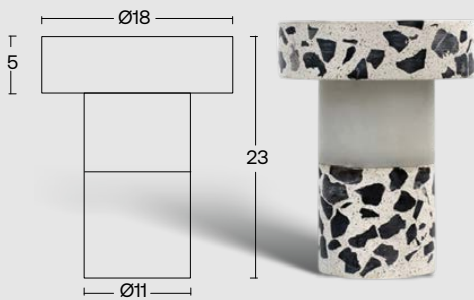


Colored in its mass with pigments

Every piece may exhibit color variations on its surface, as well as among other pieces of the same product or sample products.

The concrete surface exhibits surface voids that are caused by the air. This is a natural property of concrete.

## SPECIFICATIONS

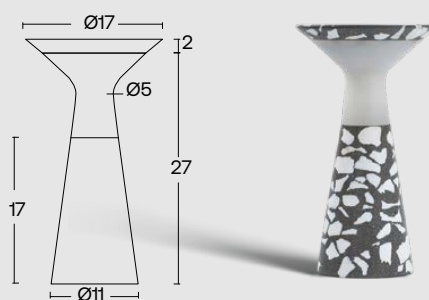


LucerA - T

Diameter: 11 - 18 cm ( $\pm 2\%$ )

Height: 23 cm

Weight: 4 kg



LucerA - Y

Diameter: 11 - 17 cm ( $\pm 2\%$ )

Height: 29 cm

Weight: 2,7 kg



LucerA - P

Diameter: 11 - 13 cm ( $\pm 2\%$ )

Height: 32 cm

Weight: 2,8 kg

### Source

Led Module IP 65

1,5W | 50.000h.

190 Lumen - 120° / 3500K

### Rechargeable Battery

7,2 V NiCd 1400 mAh | Battery life: 8 HOURS

Charger: INPUT: AC 100-240 V - 50/60 Hz OUTPUT: 7,2 V - 300 MA

Waterproof swift ON/OFF - IP65





# STRATA CONCRETE TABLE LAMP



## ABOUT THE PRODUCT

Strata was designed by CTRLZAK for the Urbi et Orbi Medius Terra collection in 2024.

It is inspired by natural geological formations (stratification). It captures sedimentation, erosion, and volcanic activity through stacked layers, symbolizing the passage of time. The design is inspired by the Mediterranean region's diverse landscapes and geological phenomena. The overlapping layers of mineral compositions represent the geological history of the Mediterranean and our planet. Strata encourages reflection on our perception of time through geology and the natural world.

The Strata table lamp is designed for indoor use and features a unique finish that can only be achieved with concrete as a base material. Each piece is unique and different, holding onto the design concept. It was a construction challenge for us, and we loved it from the first moment when it was still an idea. We developed special production techniques to approach such a natural appearance.

Ideal for commercial or residential spaces, available in a cold and warm color palette. This lamp could also be placed outdoors due to the waterproof LED module, discreetly illuminating areas of the space.

This concrete table lamp is produced through our company's Zero Waste Project developed over the past 3 years, with a recycling rate of 20%.



URBI ET ORBI BASED IN GREECE  
(+30) 210 4520178

INFO@URBIETORBI.GR

THESSALONIKIS 61, 18233 ATHENS  
WWW.URBIETORBI.GR

# STRATA CONCRETE TABLE LAMP

## COLORS

### WARM FINISHES



### COOL FINISHES



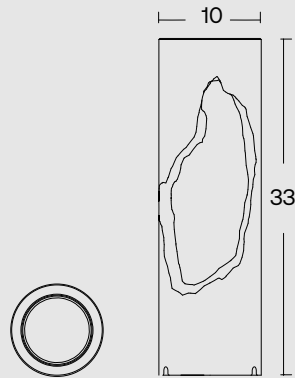
Colored in its mass with pigments



Every piece may exhibit color variations on its surface, as well as among other pieces of the same product or sample products.

The concrete surface exhibits surface voids that are caused by the air. This is a natural property of concrete.

## SPECIFICATIONS



OUTDOOR / INDOOR

Diameter: 10cm

Height: 33cm

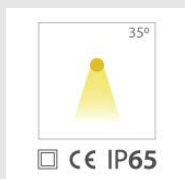
Weight: 2,3 kg

Source : LED module - 6W - Input (V): 230V - 50.000h

450 Lumen - 60° - 3000K, 4000 K

CE | LED module IP65

Type C plug (EU)



URBI ET ORBI BASED IN GREECE  
(+30) 210 4520178

INFO@URBIETORBI.GR

THESSALONIKIS 61, 18233 ATHENS  
WWW.URBIETORBI.GR

# ARETHA T CONCRETE TABLE LAMP



## ABOUT THE PRODUCT

Aretha T table lamp is designed by Urbi et Orbi Studio in 2016, part of the FUNKY collection.

Aretha is a feminine name of Greek origin. It derives from the word “arete,” meaning “virtue” or “excellence.” A name associated with the '70s era as a cultural icon whose influence surpassed music. The Aretha T lamp was created in the workshop by combining 2 concentric circles. The random mechanical distortion formed this organic shape that reflects the diversity of the '70s.

It is a table lamp that adds unique value to a space on its own. The Aretha series is complemented by a wall lamp and a suspension lamp.

This concrete table lamp is produced through our company's Zero Waste Project developed over the past 3 years, with a recycling rate of 20%.



URBI ET ORBI BASED IN GREECE  
(+30) 210 4520178

INFO@URBIETORBI.GR

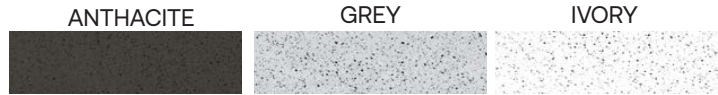
THESSALONIKIS 61, 18233 ATHENS  
WWW.URBIETORBI.GR



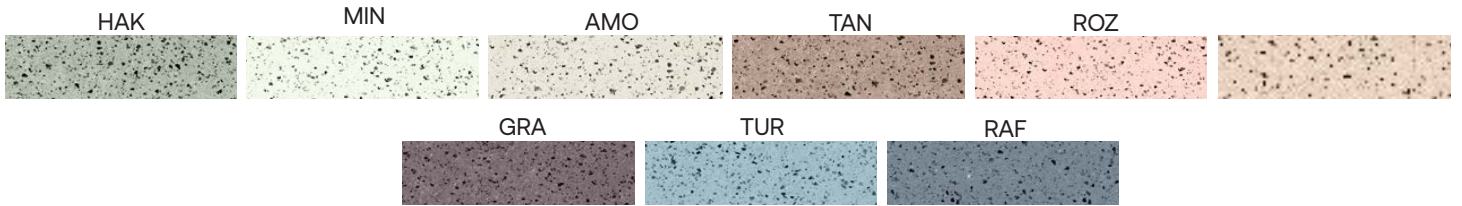
# ARETHA T CONCRETE TABLE LAMP

## COLORS

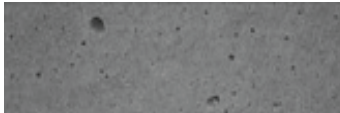
### SAND



### OPTIONAL

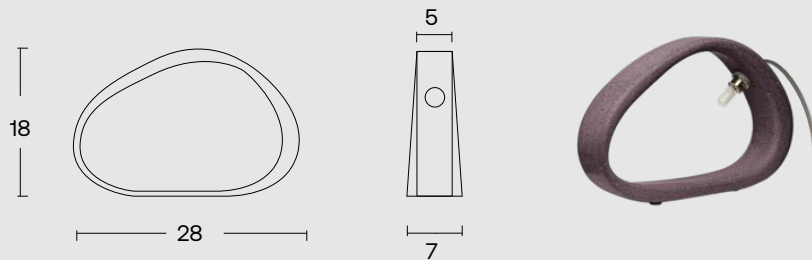


Colored in its mass with pigments



Every piece may exhibit color variations on its surface, as well as among other pieces of the same product or sample products.  
The concrete surface exhibits surface voids that are caused by the air. This is a natural property of concrete.

## SPECIFICATIONS



INDOOR

Size: 28 cm x 5-7 cm

Height: 18 cm

Weight: 1.3kg

Type of socket G9

Recommended light bulb: LED max 10W

Light bulb not included

Input (V):110-230 | Type C plug (EU)



# REF CONCRETE TABLE LAMP



## ABOUT THE PRODUCT

REF table lamp is made of cast concrete. Designed by Valentino Marengo in 2017.

Ref, a contraction of the word 'reflection,' is a concrete table lamp designed to illuminate by reflecting light off its own body.

This concrete table lamp is produced through our company's Zero Waste Project developed over the past 3 years, with a recycling rate of 20%



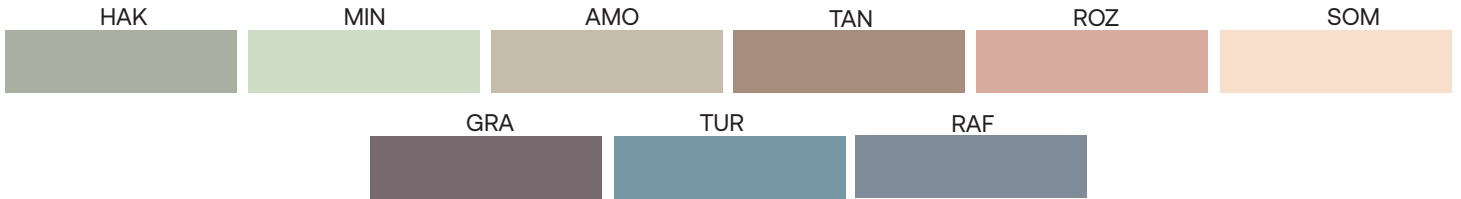
# REF CONCRETE TABLE LAMP

## COLORS

### BASIC



### OPTIONAL



### SAND

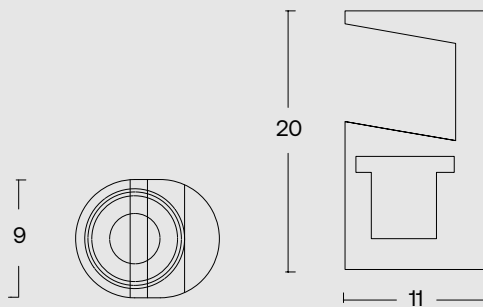


Colored in its mass with pigments



Every piece may exhibit color variations on its surface, as well as among other pieces of the same product or sample products.  
The concrete surface exhibits surface voids that are caused by the air. This is a natural property of concrete.

## SPECIFICATIONS



OUTDOOR / INDOOR

Base: 11x9 cm

Height: 20 cm

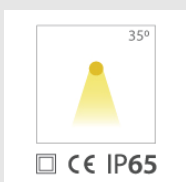
Weight: 1,5kg

Source : LED module - 6W - Input (V): 230V - 50.000h

450 Lumen - 60° - 3000K, 4000 K

CE | compact LED module IP65

Type C plug (EU)



URBI ET ORBI BASED IN GREECE  
(+30) 210 4520178

INFO@URBIETORBI.GR

THESSALONIKIS 61, 18233 ATHENS  
WWW.URBIETORBI.GR



# MACEO T CONCRETE TABLE LAMP



## ABOUT THE PRODUCT

Maceo T table lamp was designed by Urbi et Orbi studio in 2016, as part of the FUNKY collection.

Maceo is a spot lamp made of cast concrete and black powder-painted steel. Its light diffuses into beams, spreading infinitely in all directions through the rotating links, reminiscent of the flowing sounds of a trumpet. The name "Maceo" pays homage to Maceo Parker, and the soul and jazz scene of the '70s where the entire Funky collection is inspired from.

This concrete table lamp is produced through our company's Zero Waste Project developed over the past 3 years, with a recycling rate of 20%.

URBI ET ORBI BASED IN GREECE  
(+30) 210 4520178



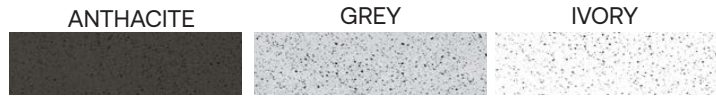
INFO@URBIETORBI.GR

THESSALONIKIS 61, 18233 ATHENS  
WWW.URBIETORBI.GR

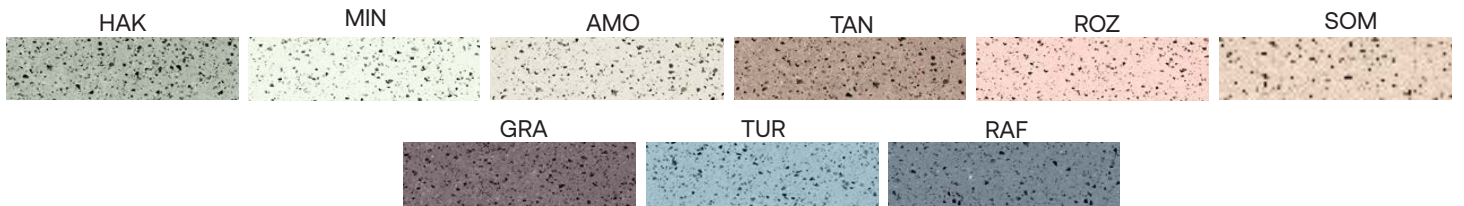
# MACEO T CONCRETE TABLE LAMP

## COLORS

### SAND



### OPTIONAL



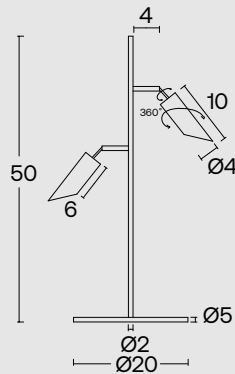
Colored in its mass with pigments



Every piece may exhibit color variations on its surface, as well as among other pieces of the same product or sample products.

The concrete surface exhibits surface voids that are caused by the air. This is a natural property of concrete.

## SPECIFICATIONS



### INDOOR

Cement's diameter: 4 cm | Cement's height: 10 cm

Base diameter: 20 cm | Height: 50cm

Turnable: 360 degrees rotation

Weight: 2 kg

Type of socket G9 X 2

Recommended light bulb: LED max 10W X 2

Light bulb not included

Input (V):110-230 | Type C plug (EU)

The steel base is available in black matte





# SUPERFLY T CONCRETE TABLE LAMP



## ABOUT THE PRODUCT

Superfly T table lamp is designed by Urbi et Orbi Studio in 2016, part of the FUNKY collection.

Inspired by the well-known soundtrack of the '70s, the term “superfly” itself refers to someone stylish, confident, and street-smart. In one word: COOL. And what could be cooler than having a sphere illuminate your table? The series is complemented with a wall lamp and a suspension lamp.

This concrete table lamp is produced through our company’s Zero Waste Project developed over the past 3 years, with a recycling rate of 20%.

URBI ET ORBI BASED IN GREECE  
(+30) 210 4520178



INFO@URBIETORBI.GR

THESSALONIKIS 61, 18233 ATHENS  
WWW.URBIETORBI.GR



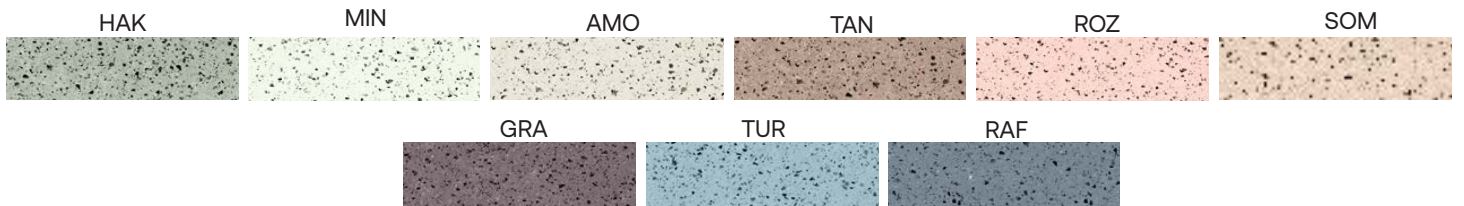
# SUPERFLY T CONCRETE TABLE LAMP

## COLORS

### SAND



### OPTIONAL

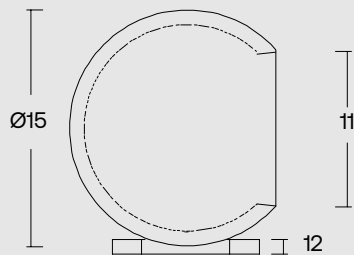


Colored in its mass with pigments

Every piece may exhibit color variations on its surface, as well as among other pieces of the same product or sample products.

The concrete surface exhibits surface voids that are caused by the air. This is a natural property of concrete.

## SPECIFICATIONS



INDOOR

Diameter: 15 cm

Base: ring shape, made of concrete

The concrete sphere could be rotated and placed in any position.

Weight: 1,5 kg

Type of socket E14

Recommended light bulb: LED max 30W

Light bulb not included

Input (V):110-230

Type C plug (EU)



URBI ET ORBI BASED IN GREECE  
(+30) 210 4520178

INFO@URBIETORBI.GR

THESSALONIKIS 61, 18233 ATHENS  
WWW.URBIETORBI.GR

# GHETTO T CONCRETE TABLE LAMP



## ABOUT THE PRODUCT

Ghetto-T table lamp is designed by Urbi et Orbi Studio in 2016, part of the FUNKY collection.

Its shape is carved from the heart of a sphere, maintaining a uniform thickness of 1 cm. Inspired by the 1970s music and culture, reminding us that when talking about any ghetto, every boundary is defined and shaped clearly by people for people.

Ghetto-T is a table lamp that adds to the aesthetic of a space. The series is complemented by a wall lamp and a suspension lamp.

This concrete table lamp is produced through our company's Zero Waste Project developed over the past 3 years, with a recycling rate of 20%.



URBI ET ORBI BASED IN GREECE  
(+30) 210 4520178

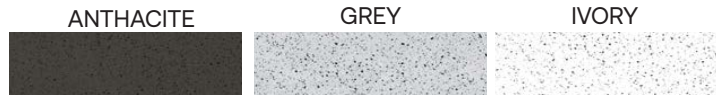
INFO@URBIETORBI.GR

THESSALONIKIS 61, 18233 ATHENS  
WWW.URBIETORBI.GR

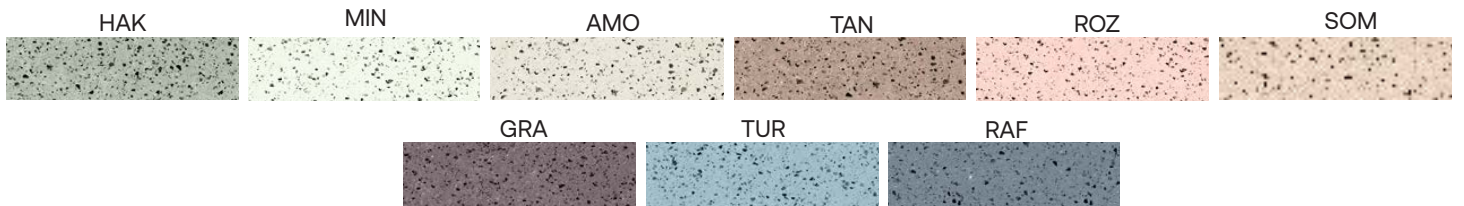
# GHETTO T CONCRETE TABLE LAMP

## COLORS

### SAND



### OPTIONAL

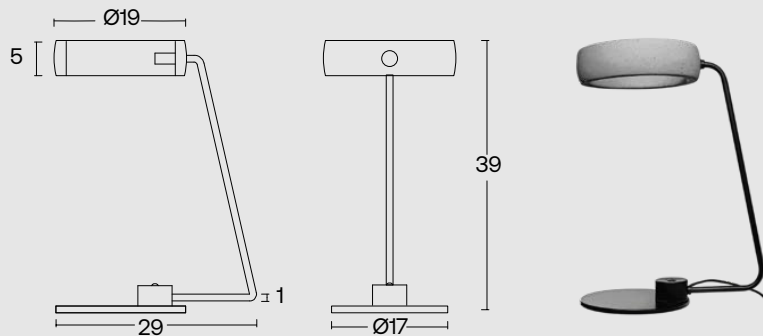


Colored in its mass with pigments



Every piece may exhibit color variations on its surface, as well as among other pieces of the same product or sample products.  
The concrete surface exhibits surface voids that are caused by the air. This is a natural property of concrete.

## SPECIFICATIONS



INDOOR

Diameter: 19 cm | Width: 5 cm

Height: 39 cm

Base diameter: 17 cm

Weight: 1.3 kg

Type of socket G9

Recommended light bulb: LED max 10W

Light bulb not included

Input (V):110-230 | Type C plug (EU)

Steel Base: Black Matte



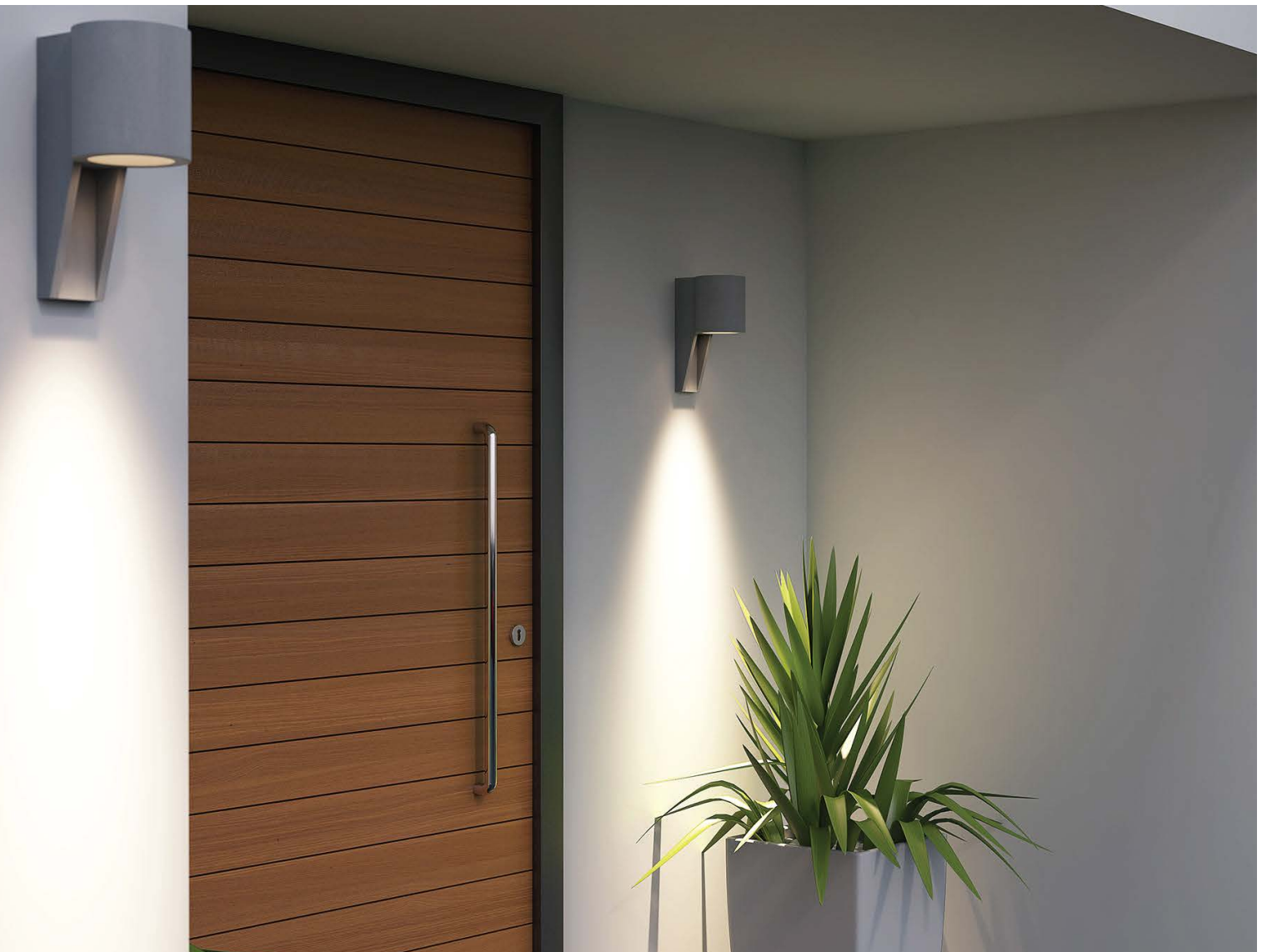


URBI  
+  
ORBI



WALL  
LAMPS

# PROJECTA CONCRETE WALL LIGHT



## ABOUT THE PRODUCT

Projecta outdoor wall lamp, designed by Valentino Marengo in 2017, is crafted from concrete.

The Projecta wall lamp is characterized by its geometric style, innovation in functionality, and durability. Made from cast concrete, it becomes an integral part of the building, aging gracefully along with it while maintaining its aesthetic over time—a unique characteristic of concrete.

The light beam emanating from a cylindrical shape discreetly illuminates the surfaces of the wall and the ground beneath the fixture. The light source is a removable-replaceable waterproof LED module, which is easy to replace after approximately 50,000 hours of operation.

It's ideal for outdoor spaces, whether residential or commercial.



URBI ET ORBI BASED IN GREECE  
(+30) 210 4520178

INFO@URBIETORBI.GR

THESSALONIKIS 61, 18233 ATHENS  
WWW.URBIETORBI.GR

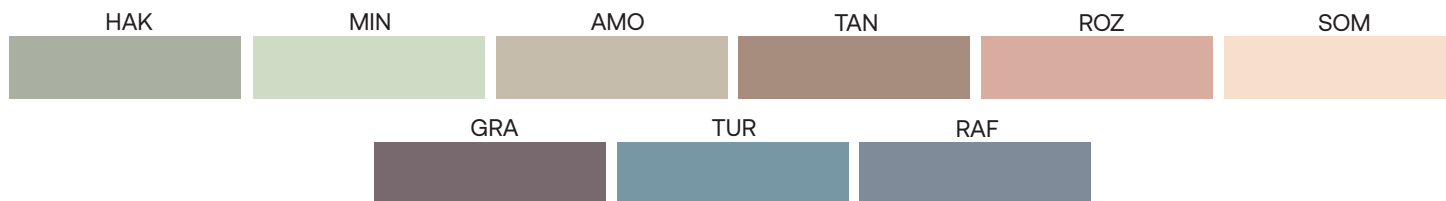
# PROJECTA CONCRETE WALL LIGHT

## COLORS

### BASIC



### OPTIONAL

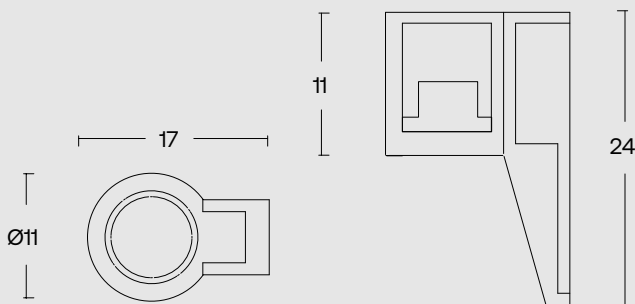


Colored in its mass with pigments



Every piece may exhibit color variations on its surface, as well as among other pieces of the same product or sample products.  
The concrete surface exhibits surface voids that are caused by the air. This is a natural property of concrete.

## SPECIFICATIONS



OUTDOOR / INDOOR

Size: 17x 11cm

Height: 24cm

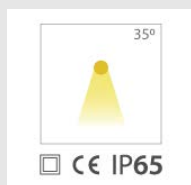
Weight: 2,5 kg

Source : LED module - 6W - Input (V): 230V - 50.000h

450 Lumen - 60° - 3000K, 4000 K

CE IP65

Wall mounting without recessed box - External connection IP68





# STRATA CONCRETE WALL LIGHT



## ABOUT THE PRODUCT

Strata series was designed by CTRLZAK for the Urbi et Orbi Medius Terra collection in 2024.

It is inspired by natural geological formations (stratification).. It captures sedimentation, erosion, and volcanic activity through stacked layers, symbolizing the passage of time. The design is inspired by the Mediterranean region's diverse landscapes and geological phenomena. The overlapping layers of mineral compositions represent the geological history of the Mediterranean and our planet. Strata encourages reflection on our perception of time through geology and the natural world.

Strata concrete wall lamp is designed for outdoor use and features a unique finish that can only be achieved with concrete as a base material. Each piece is unique and different, holding onto the design concept. It was a construction challenge for us, and we loved it from the first moment when it was still an idea. We developed special production techniques to approach such a natural appearance.

Through the nature of concrete, this luminaire acquires its character; the passage of time will leave its footprint which will enhance its beauty even further. Ideal for commercial or residential spaces, it is available in a cold and warm color palette.

This concrete wall light fixture is produced through our company's Zero Waste Project developed over the past 3 years, with a recycling rate of 20%.



URBI ET ORBI BASED IN GREECE  
(+30) 210 4520178

INFO@URBIETORBI.GR

THESSALONIKIS 61, 18233 ATHENS  
WWW.URBIETORBI.GR

# STRATA CONCRETE WALL LIGHT

## COLORS

### WARM FINISHES



### COOL FINISHES



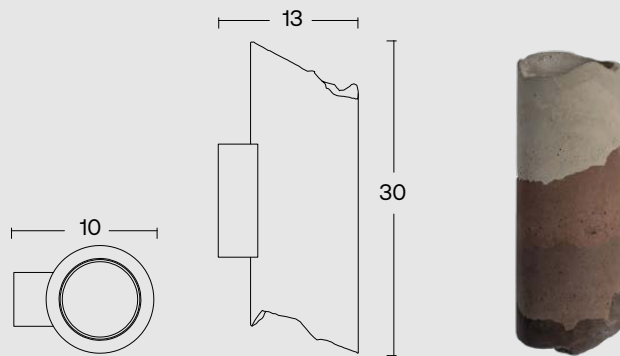
Colored in its mass with pigments



Every piece may exhibit color variations on its surface, as well as among other pieces of the same product or sample products.

The concrete surface exhibits surface voids that are caused by the air. This is a natural property of concrete.

## SPECIFICATIONS



OUTDOOR / INDOOR

Diameter: 10cm

Height: 30cm

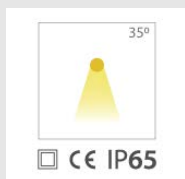
Weight: 2,3 kg

Source : 2 X LED module - 6W - Input (V): 230V - 50.000h

2 X 450 Lumen - 60° - 3000K, 4000 K

CE IP65

Wall mounting without recessed box - External connection IP68





# DESMI CONCRETE WALL LIGHT



## ABOUT THE PRODUCT

Desmi outdoor wall lamp, designed by Valentino Marengo in 2017, is crafted from concrete.

DESMI, meaning 'ray' in Greek, refers to the rays of light emitted from it. The harmonic combination of sharp and curved edges and corners characterizes this luminaire for its unique aesthetic.

Crafted from concrete, it becomes an integral part of the building, aging gracefully alongside it while maintaining its aesthetic over time—a unique characteristic of concrete. The light source is a removable-replaceable waterproof LED module, which is easy to replace after approximately 50,000 hours of operation. It's ideal for outdoor spaces, whether residential or commercial.



URBI ET ORBI BASED IN GREECE  
(+30) 210 4520178

INFO@URBIETORBI.GR

THESSALONIKIS 61, 18233 ATHENS  
WWW.URBIETORBI.GR

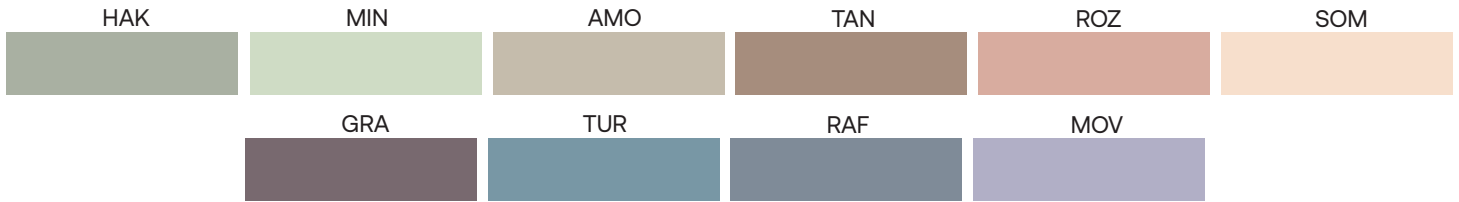
# DESMI CONCRETE WALL LIGHT

## COLORS

### BASIC



### OPTIONAL

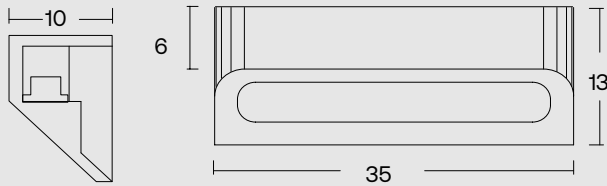


Colored in its mass with pigments



Every piece may exhibit color variations on its surface, as well as among other pieces of the same product or sample products.  
The concrete surface exhibits surface voids that are caused by the air. This is a natural property of concrete.

## SPECIFICATIONS



OUTDOOR / INDOOR

Size: 35 × 10 cm

Height: 13 cm

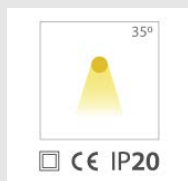
Weight: 3 kg

Source : LED module - 18W - Input (V): 230V - 50.000h

1300 Lumen - 60° - 3000K, 4000 K

CE IP65

Wall mounting without recessed box - External connection IP68



URBI ET ORBI BASED IN GREECE  
(+30) 210 4520178

INFO@URBIETORBI.GR

THESSALONIKIS 61, 18233 ATHENS  
WWW.URBIETORBI.GR



# GHETTO W CONCRETE WALL LIGHT



## ABOUT THE PRODUCT

Ghetto-W wall lamp is designed by Urbi et Orbi Studio in 2016, part of the FUNKY collection.

Its shape is carved from the heart of a sphere, maintaining a uniform thickness of 1 cm. Inspired by the 1970s music and culture, reminding us that when talking about any ghetto, every boundary is defined and shaped clearly by people for people.

Ghetto-W is a wall lamp that adds to the aesthetic of a space. The series is complemented by a table lamp and a suspension lamp.

This concrete wall light fixture is produced through our company's Zero Waste Project developed over the past 3 years, with a recycling rate of 20%.



URBI ET ORBI BASED IN GREECE  
(+30) 210 4520178

INFO@URBIETORBI.GR

THESSALONIKIS 61, 18233 ATHENS  
WWW.URBIETORBI.GR

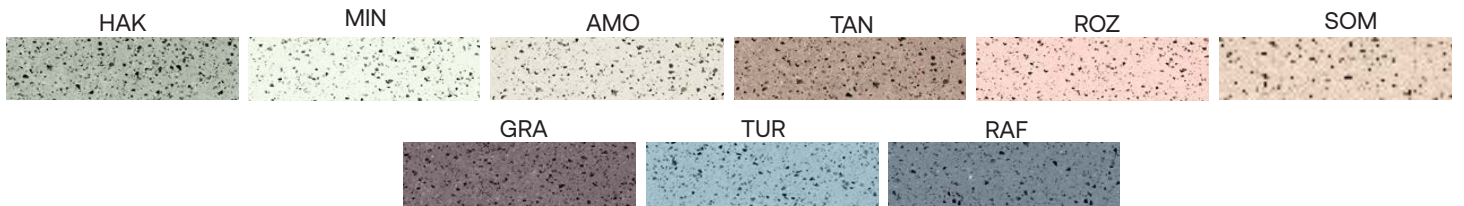
# GHETTO W CONCRETE WALL LIGHT

## COLORS

### SAND



### OPTIONAL

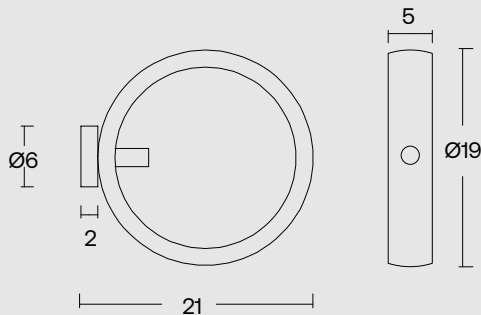


Colored in its mass with pigments



Every piece may exhibit color variations on its surface, as well as among other pieces of the same product or sample products.  
The concrete surface exhibits surface voids that are caused by the air. This is a natural property of concrete.

## SPECIFICATIONS



INDOOR

Diameter: 19 cm

Depth: 21 cm

Weight: 1 kg

Type of socket G9

Recommended light bulb: LED max 10W

Light bulb not included

Input (V): 110-230



# SUPERFLY W CONCRETE WALL LIGHT



## ABOUT THE PRODUCT

Superfly W wall lamp is designed by Urbi et Orbi Studio in 2016, part of the FUNKY collection.

Inspired by the well-known soundtrack of the '70s, the term “superfly” itself refers to someone stylish, confident, and street-smart. In one word: COOL. And what could be cooler than having a sphere illuminate your space? The series is complemented with a table lamp and a suspension lamp.

This concrete wall light fixture is produced through our company’s Zero Waste Project developed over the past 3 years, with a recycling rate of 20%.



URBI ET ORBI BASED IN GREECE  
(+30) 210 4520178

INFO@URBIETORBI.GR

THESSALONIKIS 61, 18233 ATHENS  
WWW.URBIETORBI.GR

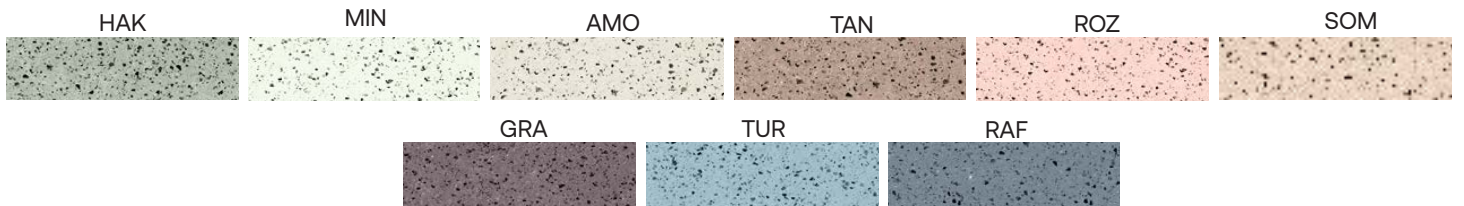
# SUPERFLY W CONCRETE WALL LIGHT

## COLORS

### SAND



### OPTIONAL

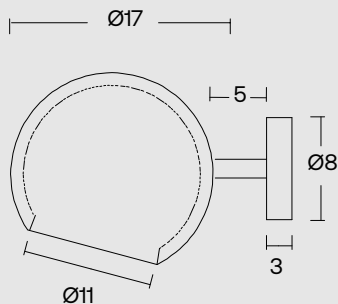


Colored in its mass with pigments

Every piece may exhibit color variations on its surface, as well as among other pieces of the same product or sample products.

The concrete surface exhibits surface voids that are caused by the air. This is a natural property of concrete.

## SPECIFICATIONS



INDOOR

Diameter: 17 cm

Depth: 24 cm

Weight: 1.5 kg

Type of socket : E14

Recommended light bulb: LED max 30W

Light bulb not included

Input (V): 110-230





# ARETHA W CONCRETE WALL LIGHT



## ABOUT THE PRODUCT

Aretha W wall lamp is designed by Urbi et Orbi Studio in 2016, part of the FUNKY collection.

Aretha is a feminine name of Greek origin. It derives from the word “arete,” meaning “virtue” or “excellence.” A name associated with the '70s era as a cultural icon whose influence surpassed music.

The Aretha lamp was created in the workshop by combining 2 concentric circles. The random mechanical distortion formed this organic shape that reflects the diversity of the '70s.

It is a wall lamp that adds unique value to a space on its own. The Aretha series is complemented by a table lamp and a suspension lamp.

This concrete wall light fixture is produced through our company's Zero Waste Project developed over the past 3 years, with a recycling rate of 20%.



URBI ET ORBI BASED IN GREECE  
(+30) 210 4520178

INFO@URBIETORBI.GR

THESSALONIKIS 61, 18233 ATHENS  
WWW.URBIETORBI.GR

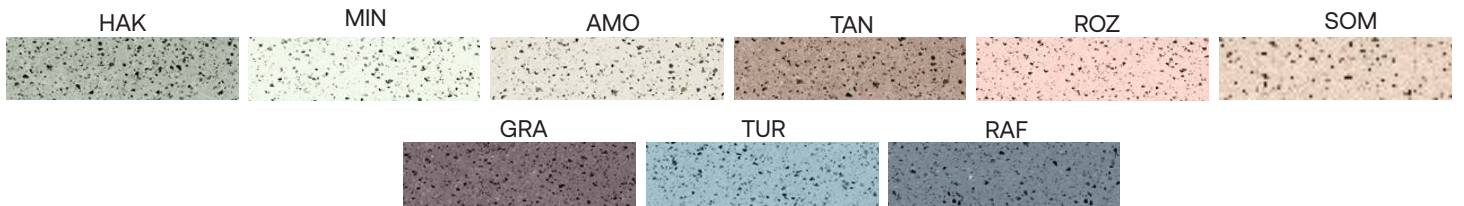
# ARETHA W CONCRETE WALL LIGHT

## COLORS

### SAND



### OPTIONAL

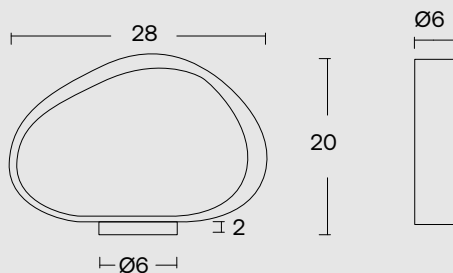


Colored in its mass with pigments



Every piece may exhibit color variations on its surface, as well as among other pieces of the same product or sample products.  
The concrete surface exhibits surface voids that are caused by the air. This is a natural property of concrete.

## SPECIFICATIONS



INDOOR

Size: 28 cm x 6 cm

Depth: 20 cm

Weight: 1.3kg

Type of socket G9

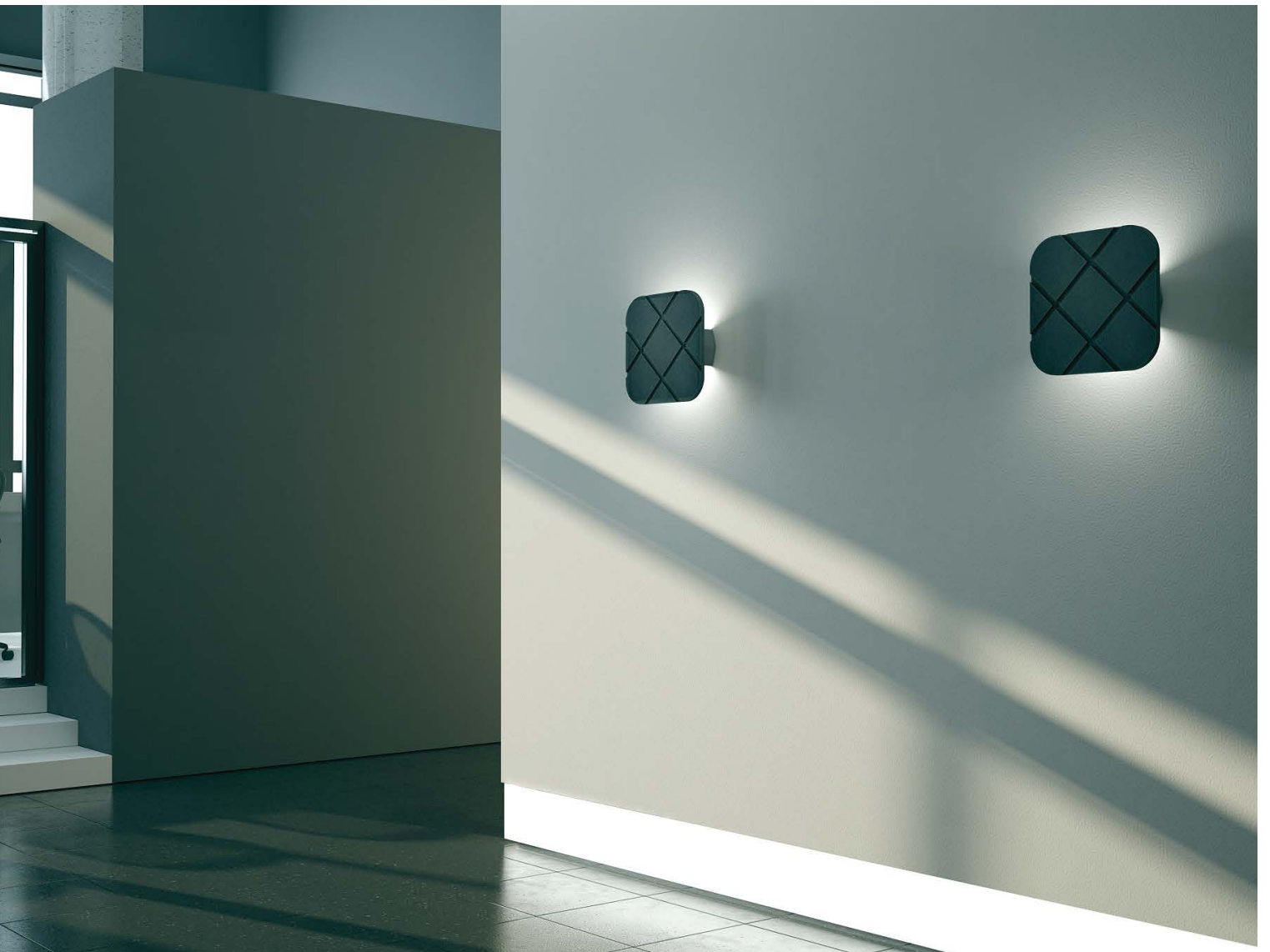
Recommended light bulb: LED max 10W

Light bulb not included

Input (V): 110-230



# QUADRATA CONCRETE WALL LIGHT



## ABOUT THE PRODUCT

The QUADRATA wall light, designed by Valentino Marengo in 2015, is crafted from concrete and available in 4 patterns (G, L, X, N).

With its clean geometric lines, this light fixture embodies simplicity and elegance.

Whether placed in a dining area, living room, or hallway, it can accentuate specific areas of the space, adding value with its aesthetic appeal.

This concrete wall light fixture is produced through our company's Zero Waste Project developed over the past 3 years, with a recycling rate of 20%. The concrete used in production is formulated with only 10% cement.



URBI ET ORBI BASED IN GREECE  
(+30) 210 4520178

INFO@URBIETORBI.GR

THESSALONIKIS 61, 18233 ATHENS  
WWW.URBIETORBI.GR

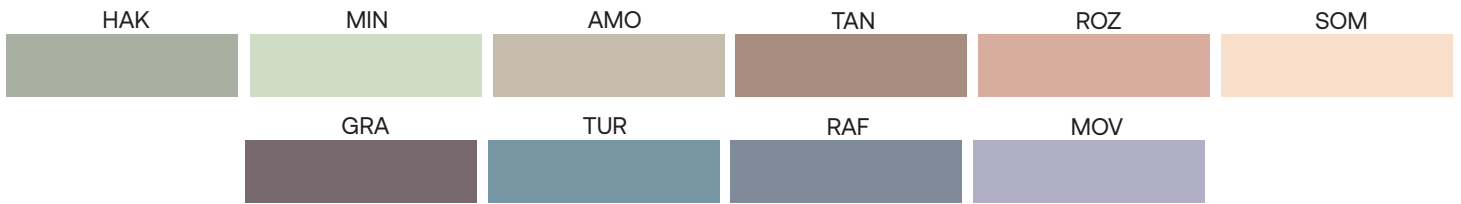
# QUADRATA CONCRETE WALL LIGHT

## COLORS

### BASIC



### OPTIONAL

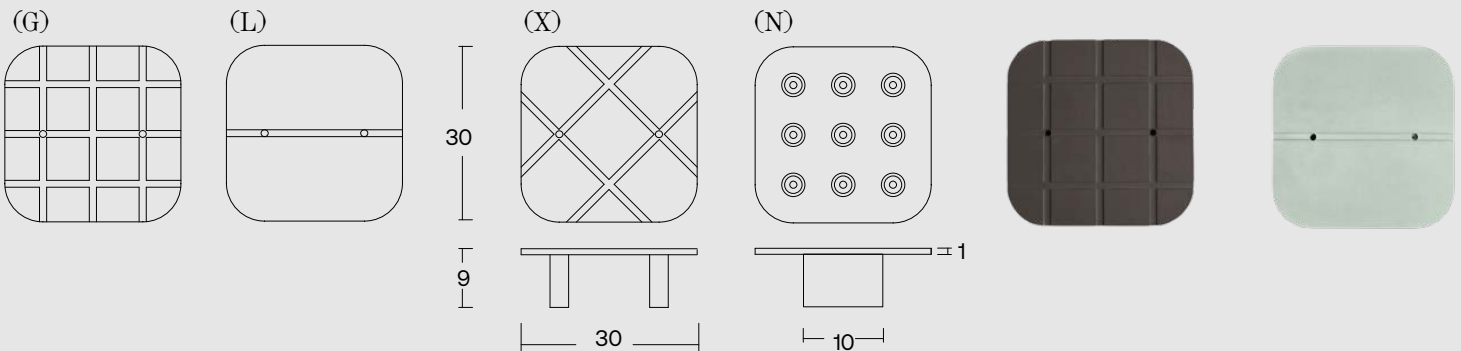


Colored in its mass with pigments



Every piece may exhibit color variations on its surface, as well as among other pieces of the same product or sample products.  
The concrete surface exhibits surface voids that are caused by the air. This is a natural property of concrete.

## SPECIFICATIONS



INDOOR

Size: 30×30 cm

Depth: 9 cm

Weight: 3.5 kg

Type of socket : E14 X 2

Recommended light bulb: LED max watt (W) 30(x2)

Light bulb not included

Input (V): 110-230





# MACEO W CONCRETE WALL LIGHT



## ABOUT THE PRODUCT

Maceo W wall lamp is designed by Urbi et Orbi Studio in 2016, as part of the FUNKY collection.

The Maceo W wall spotlight is a highly popular lighting fixture, primarily due to its functionality. The concrete piece, which adds value to its aesthetics, can be easily rotated by the user to direct the light beam wherever desired. Its light dances in ray beams reminiscent of the sounds of a trumpet. The name “Maceo” pays homage to Maceo Parker, and the soul and jazz scene of the '70s where the entire Funky collection is inspired.

Whether illuminating a specific area of the room or serving as discreet lighting at the edges of a bed, Maceo offers versatility and style. It is perfect for both residential and commercial indoor environments.

This concrete wall light fixture is produced through our company’s Zero Waste Project developed over the past 3 years, with a recycling rate of 20%.



URBI ET ORBI BASED IN GREECE  
(+30) 210 4520178

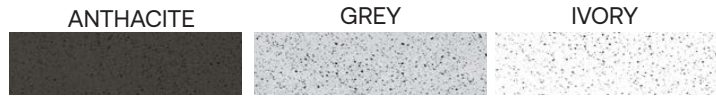
INFO@URBIETORBI.GR

THESSALONIKIS 61, 18233 ATHENS  
WWW.URBIETORBI.GR

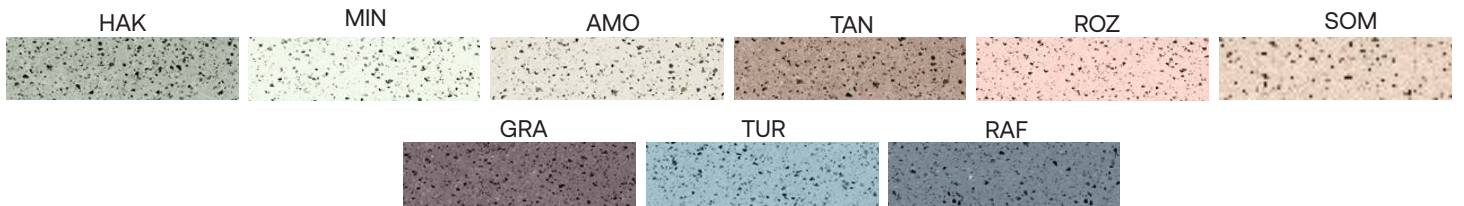
# MACEO W CONCRETE WALL LIGHT

## COLORS

### SAND



### OPTIONAL

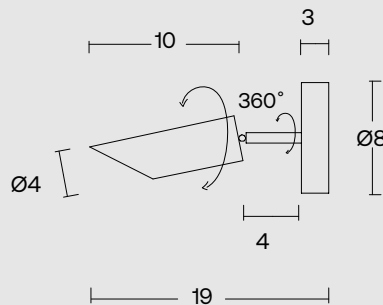


Colored in its mass with pigments

Every piece may exhibit color variations on its surface, as well as among other pieces of the same product or sample products.

The concrete surface exhibits surface voids that are caused by the air. This is a natural property of concrete.

## SPECIFICATIONS



### INDOOR

Cement's diameter: 4 cm | Cement's height: 10 cm

Rosette's diameter: 8 cm / Depth: 2.5 cm

Weight: 0,6kg

Turnable: 360 degrees rotation

Type of socket G9

Recommended light bulb: LED max 10W

Light bulb not included

Input (V): 110-230



# MACEO W2 CONCRETE WALL LIGHT



## ABOUT THE PRODUCT

Maceo W2 wall lamp is designed by Urbi et Orbi Studio in 2016, as part of the FUNKY collection.

Maceo wall spotlight is a highly popular lighting fixture, primarily due to its functionality. The concrete piece, which adds value to its aesthetics, can be easily rotated by the user to direct the light beam wherever desired. Its light dances in ray beams reminiscent of the sounds of a trumpet. The name “Maceo” pays homage to Maceo Parker, and the soul and jazz scene of the '70s where the entire Funky collection is inspired from.

Whether illuminating a specific area of the room or serving as discreet lighting at the edges of a bed, Maceo offers versatility and style. It is perfect for both residential and commercial indoor environments.

This concrete wall light fixture is produced through our company’s Zero Waste Project developed over the past 3 years, with a recycling rate of 20%



URBI ET ORBI BASED IN GREECE  
(+30) 210 4520178

INFO@URBIETORBI.GR

THESSALONIKIS 61, 18233 ATHENS  
WWW.URBIETORBI.GR

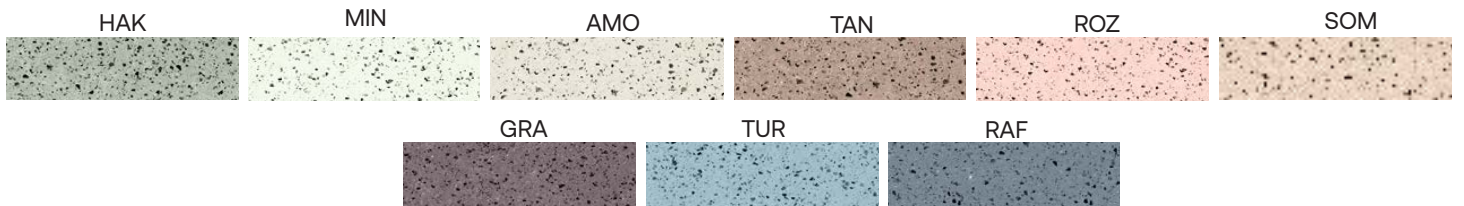
# MACEO W2 CONCRETE WALL LIGHT

## COLORS

### SAND



### OPTIONAL

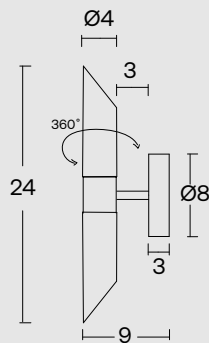


Colored in its mass with pigments



Every piece may exhibit color variations on its surface, as well as among other pieces of the same product or sample products.  
The concrete surface exhibits surface voids that are caused by the air. This is a natural property of concrete.

## SPECIFICATIONS



### INDOOR

Cement's diameter: 4 cm | Cement's height: 10 cm

Rosette's diameter: 8 cm / Depth: 2.5 cm

Rotation: 360 degrees rotation

Weight: 0.5 kg

Type of socket G9 X 2

Recommended light bulb: LED max 10W X 2

Light bulb not included

Input (V):110-230





# STRADA CONCRETE WALL LIGHT



## ABOUT THE PRODUCT

Strada outdoor wall lamp, designed by Urbi et Orbi Studio in 2015, is crafted from cast concrete.

The STRADA wall light blends concrete and powder-painted stainless steel in its design, creating a timeless lamp infused with the unique qualities of concrete. Suitable for both commercial and residential spaces, it adds a touch of modern elegance to any environment.

This concrete wall light fixture is produced through our company's Zero Waste Project developed over the past 3 years, with a recycling rate of 20%.



URBI ET ORBI BASED IN GREECE  
(+30) 210 4520178

INFO@URBIETORBI.GR

THESSALONIKIS 61, 18233 ATHENS  
WWW.URBIETORBI.GR

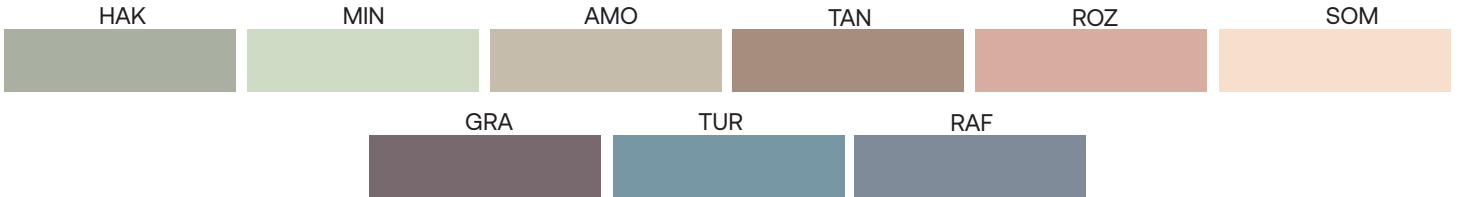
# STRADA CONCRETE WALL LIGHT

## COLORS

### BASIC



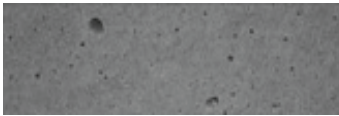
### OPTIONAL



### SAND

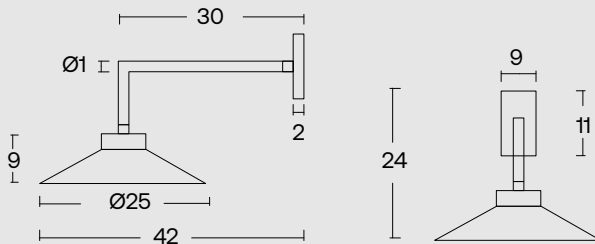


Colored in its mass with pigments



Every piece may exhibit color variations on its surface, as well as among other pieces of the same product or sample products. The concrete surface exhibits surface voids that are caused by the air. This is a natural property of concrete.

## SPECIFICATIONS



Diameter: 25 cm

Height: 9 cm | Depth: 30 cm

Weight: 1,8 kg

Rosette/Metal parts: Black Matte

INDOOR IP20

E27 | Recommended light bulb:

LED max watt (W) 70

Light bulb not included Input (V):110-230

OUTDOOR IP65

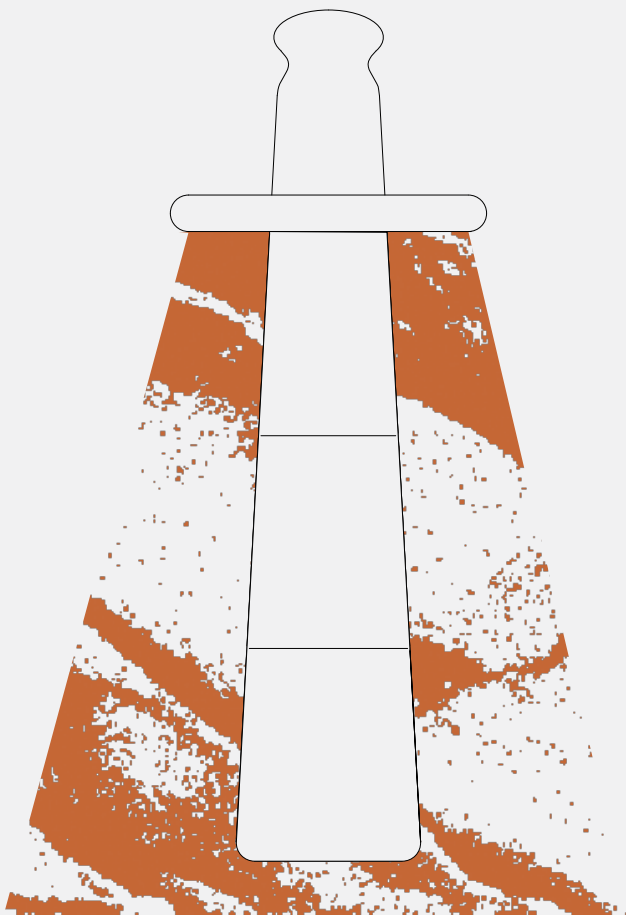
Source: Led Module IP 65 - 6W - 500 Lumen - 60°

Input: 230V - 3000K, 4000K - 50.000h.

External connection IP68



URBI  
+  
ORBI



FLOOR  
LAMPS



# PIN CONCRETE FLOOR LAMP



archiproducts  
DESIGN AWARDS  
2022

WINNER



2022  
WINNER  
LIGHTING  
DESIGN  
AWARDS

## ABOUT THE PRODUCT

PIN outdoor floor lamps are a collection designed by Gian Paolo Venier in 2022.  
Made of cast concrete.

PIN concrete lamps are twice-awarded and showcase the remarkable qualities of concrete. Few materials can embody strength, plasticity, and lightness as effectively as concrete does. It's this duality that gives concrete its formidable expressive power.

PIN lamps come in three sizes and are perfect for outdoor use as a bollard light, too. Each of them offers versatility and aesthetic appeal. Their dense, almost velvety surface adds to their uniqueness, ensuring each piece is one-of-a-kind. Those concrete floor lamps are produced through our company's Zero Waste Project developed over the past 3 years, with a recycling rate of 20%. The concrete used in production is formulated with only 10% cement.



URBI ET ORBI BASED IN GREECE  
(+30) 210 4520178

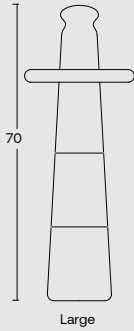
INFO@URBIETORBI.GR

THESSALONIKIS 61, 18233 ATHENS  
WWW.URBIETORBI.GR



# PIN CONCRETE FLOOR LAMP

## SPECIFICATIONS



Large

OUTDOOR | CE IP65

LARGE (L) Bollard floor light

Base Diameter: 15cm

Height: 70cm

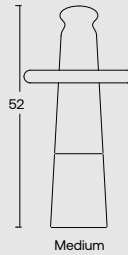
Weight: 10kg

Material: concrete and plexy glass

Source : LED module 24 V –

50.000h - 500 Lumen - 60° – 3000

K, 4000 K, 5000K



Medium

OUTDOOR | CE IP65

MEDIUM (M) Bollard floor light

Base Diameter: 13cm

Height: 52cm

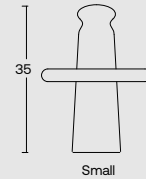
Weight: 7kg

Material: concrete and plexy glass

Source : LED module 24 V –

50.000h - 500 Lumen - 60° –

3000K, 4000 K, 5000K



Small

INDOOR | CE

SMALL (L) Table lamp

Base Diameter: 11cm

Height: 35cm

Weight: 5kg

Material: concrete and plexy glass

Source : LED module 230 V –

50.000h - 500 Lumen - 60°

3000K, 4000 K, 5000K

Type C plug (EU)

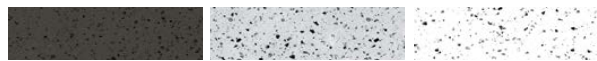
## COLORS

SAND

ANTHRACITE

GREY

IVORY



OPTIONAL

HAK

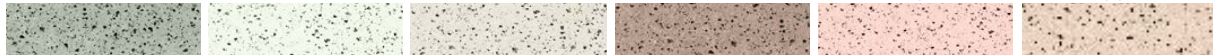
MIN

AMO

TAN

ROZ

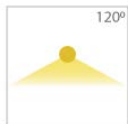
SOM



GRA

TUR

RAF



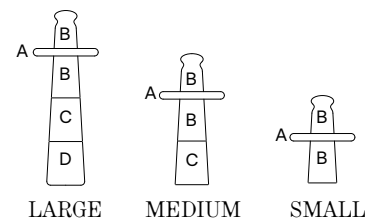
CE IP65

PIN comes in any combination of the above colours :

LARGE: (A) (B) (C) (D)

MEDIUM: (A) (B) (C)

SMALL: (A) (B)



LARGE

MEDIUM

SMALL

Colored in its mass with pigments

Every piece may exhibit color variations on its surface, as well as among other pieces of the same product or sample products.

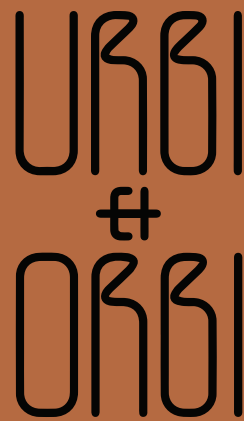
The concrete surface exhibits surface voids that are caused by the air. This is a natural property of concrete.



URBI ET ORBI BASED IN GREECE  
(+30) 210 4520178

INFO@URBIETORBI.GR

THESSALONIKIS 61, 18233 ATHENS  
WWW.URBIETORBI.GR



All rights reserved."Urbi et Orbi" brand and logos are registered trademarks. The industrial models of the product, the designation and the product photos are protected by the applicable copyright laws.

Urbi et Orbi reserves the right, in order to improve the capacities of the products, to make modifications to them, as if reference the raw materials, dimensions, weight, qualities or features, without prior notice.