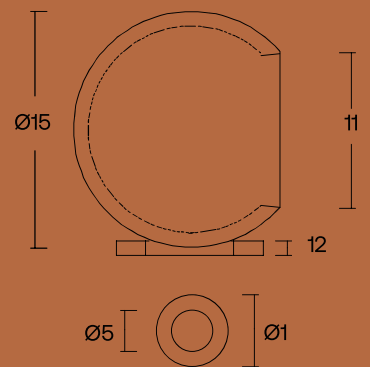


URBI
+
ORBI

TECHNICAL SHEET
SPECIFICATIONS



SUPERFLY T
CONCRETE TABLE LAMP

SUPERFLY T CONCRETE TABLE LAMP



ABOUT THE PRODUCT

Superfly T table lamp is designed by Urbi et Orbi Studio in 2016, part of the FUNKY collection.

Inspired by the well-known soundtrack of the '70s, the term "superfly" itself refers to someone stylish, confident, and street-smart. In one word: COOL. And what could be cooler than having a sphere illuminate your table? The series is complemented with a wall lamp and a suspension lamp.

This concrete table lamp is produced through our company's Zero Waste Project developed over the past 3 years, with a recycling rate of 20%.

URBI ET ORBI BASED IN GREECE
(+30) 210 4520178



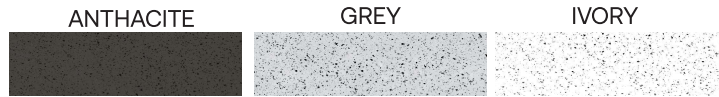
INFO@URBIETORBI.GR

THESSALONIKIS 61, 18233 ATHENS
WWW.URBIETORBI.GR

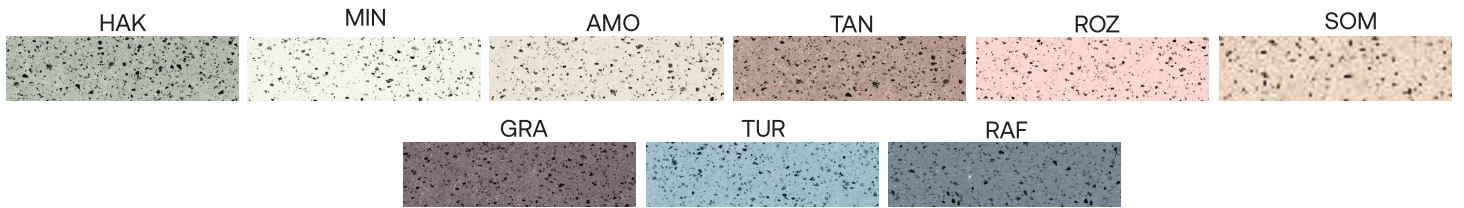
SUPERFLY T CONCRETE TABLE LAMP

COLORS

SAND



OPTIONAL

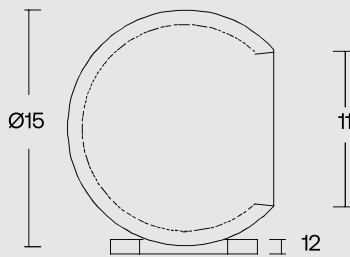


Colored in its mass with pigments



Every piece may exhibit color variations on its surface, as well as among other pieces of the same product or sample products.
The concrete surface exhibits surface voids that are caused by the air. This is a natural property of concrete.

SPECIFICATIONS



INDOOR

Diameter: 15 cm

Base: ring shape, made of concrete

The concrete sphere could be rotated and placed in any position.

Weight: 1,5 kg

Type of socket E14

Recommended light bulb: LED max 30W

Light bulb not included

Input (V):110-230

Type C plug (EU)



URBI ET ORBI BASED IN GREECE
(+30) 210 4520178

INFO@URBIETORBI.GR

THESSALONIKIS 61, 18233 ATHENS
WWW.URBIETORBI.GR

URBI
+
ORBI

All rights reserved."Urbi et Orbi" brand and logos are registered trademarks. The industrial models of the product, the designation and the product photos are protected by the applicable copyright laws.

Urbi et Orbi reserves the right, in order to improve the capacities of the products, to make modifications to them, as if reference the raw materials, dimensions, weight, qualities or features, without prior notice.

URBI ET ORBI BASED IN GREECE
(+30) 210 4520178

INFO@URBIETORBI.GR

THESSALONIKIS 61, 18233 ATHENS
WWW.URBIETORBI.GR